



## PE1000D-13F and PE1000D-13UV **CERMAX® XENON SHORT-ARC LAMPS**

**CERMAX**



### Key Features

- High-intensity, focused illumination - 23500 Lumens
- Up to 24 Watts of UV output (<390 nm)
- Power range of 600-1050 Watts
- 1000 hours life
- Broad spectral range with 5900° Kelvin color temperature

*Cermax® Xenon short-arc lamps from Excelitas Technologies are ideal for applications that require a high degree of illumination control.*

The Cermax® Xenon short-arc lamp from Excelitas Technologies is an innovative lamp design in the specialty lighting industry. Cermax® Xenon lamps were first introduced in the early 1980s and are now used in diagnostic and surgical endoscopes in most major hospitals worldwide, in high-brightness projection display systems, and for a wide variety of high-performance applications.

Cermax® Xenon lamps, Models PE1000D-13F and PE1000D-13UV, have an integrated elliptical reflector, enabling high-intensity, focused output of ultraviolet, visible, and infrared radiation. With their internal reflector and rugged ceramic body construction, Cermax® Xenon lamps are the safest and most compact alternative to conventional quartz xenon lamps. This makes them ideal for applications that require a high degree of illumination control.

Current-regulated or power-regulated power supplies with output ripples of less than 5% are recommended. Single-shot ignition pulses are advised because radio frequency starters may damage the lamp's internal reflector.

In addition to lamps, Excelitas Technologies manufactures Cermax® Xenon short-arc lamp power supplies, lamp holders, OEM lighting systems, and fiber optic light sources.

### Applications

- Medical and industrial fiber optic illuminators
- Machine vision
- Infrared and visible spotlights/beacons
- Spectroscopy
- Microscopy
- UV Curing
- Video projection
- Solar simulation
- Wafer inspection

**PE1000D-13F and PE1000D-13UV**

**CERMAX® XENON SHORT-ARC LAMPS**

**PE1000D-13F and PE1000D-13UV**

<b>Operational Specifications</b>		
<b>Description</b>	<b>Nominal</b>	<b>Range</b>
Power	1000 Watts	600-1050 Watts
Current	50 amps (DC)	30-56 amps (DC)
Operating Voltage	20 volts (DC)	15-24 volts (DC)
Ignition Voltage	23-35 kilovolts (system dependent)	
Temperature	150° C (Maximum)	
Lifetime*	1000 hours typical	

\* End of life is defined as 50% of initial output

<b>Initial Output at Nominal Power</b>		
<b>F= UV Filtered Output</b>	<b>UV= UV Enhanced Output</b>	
<b>Description</b>	<b>PE1000D-13F</b>	<b>PE1000D-13UV</b>
Radiant Output*	245 Watts	245 Watts
UV Output*	13 Watts	24 Watts
IR Output*	135 Watts	132 Watts
Visible Output*	23500 Lumens	21000 Lumens
Color Temperature	5900° Kelvin	5050° Kelvin
Peak Instabilities	4%	
Spot Size at Crossover at 50% pts.	0.2 inches (4 mm)	
Spot Size at Crossover at 10% pts.	0.4 inches (9 mm)	

\* These values indicate total output in all directions. Wavelengths = UV<390 nm, IR>770 nm, Visible: 390 nm-770 nm

<b>Physical Specifications</b>	
<b>Description</b>	<b>Specification</b>
Focal Distance "A"	1.4 inches (35 mm)
Weight	687 grams
Window Diameter	1.375 inch (34.92 mm)

## PE1000D-13F and PE1000D-13UV

# CERMAX® XENON SHORT-ARC LAMPS

### Focused Output

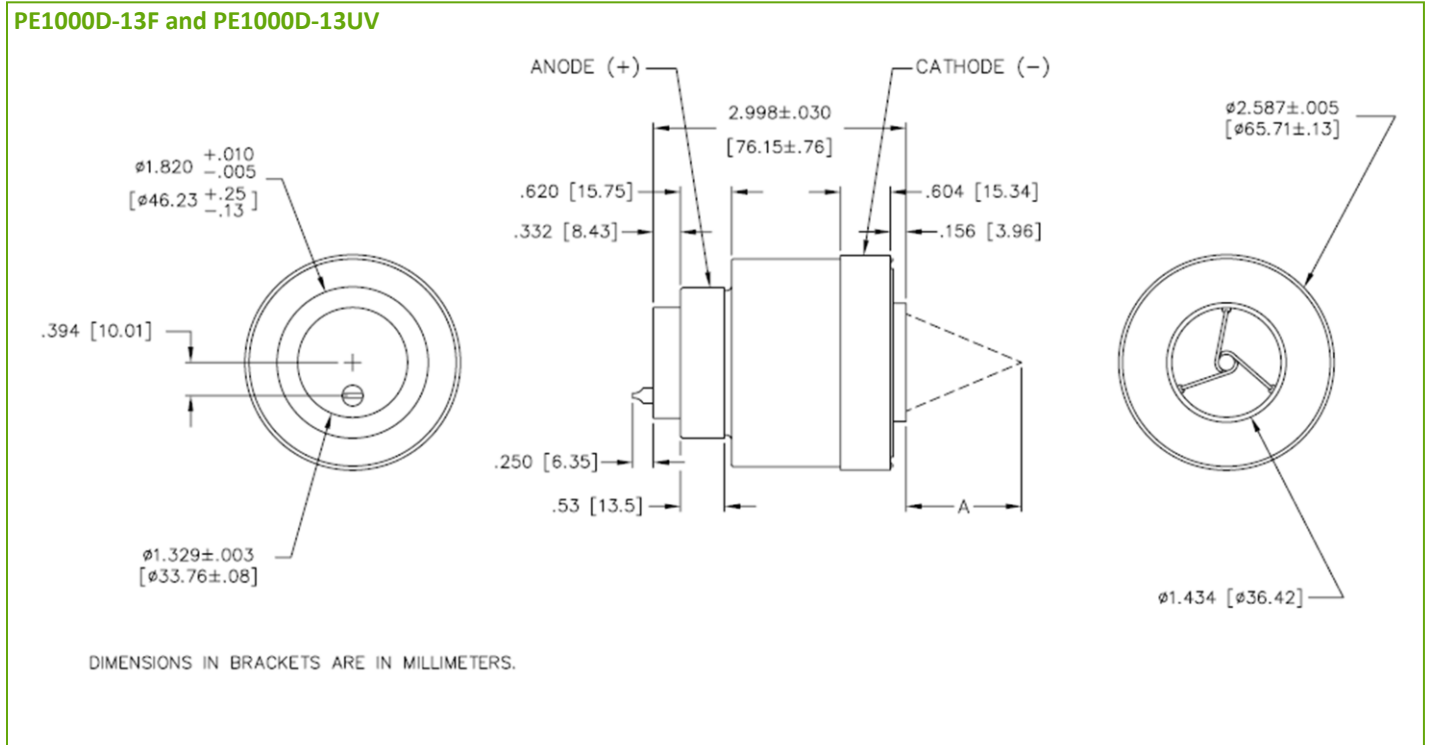
Description	Visible Output	Total Output*
3 mm aperture	3500 Lumens	33 Watts
6 mm aperture	12000 Lumens	110 Watts
12 mm aperture	18000 Lumens	163 Watts

\* Nominal values at 1000 Watts after 2 hour burn-in.

### NOTES:

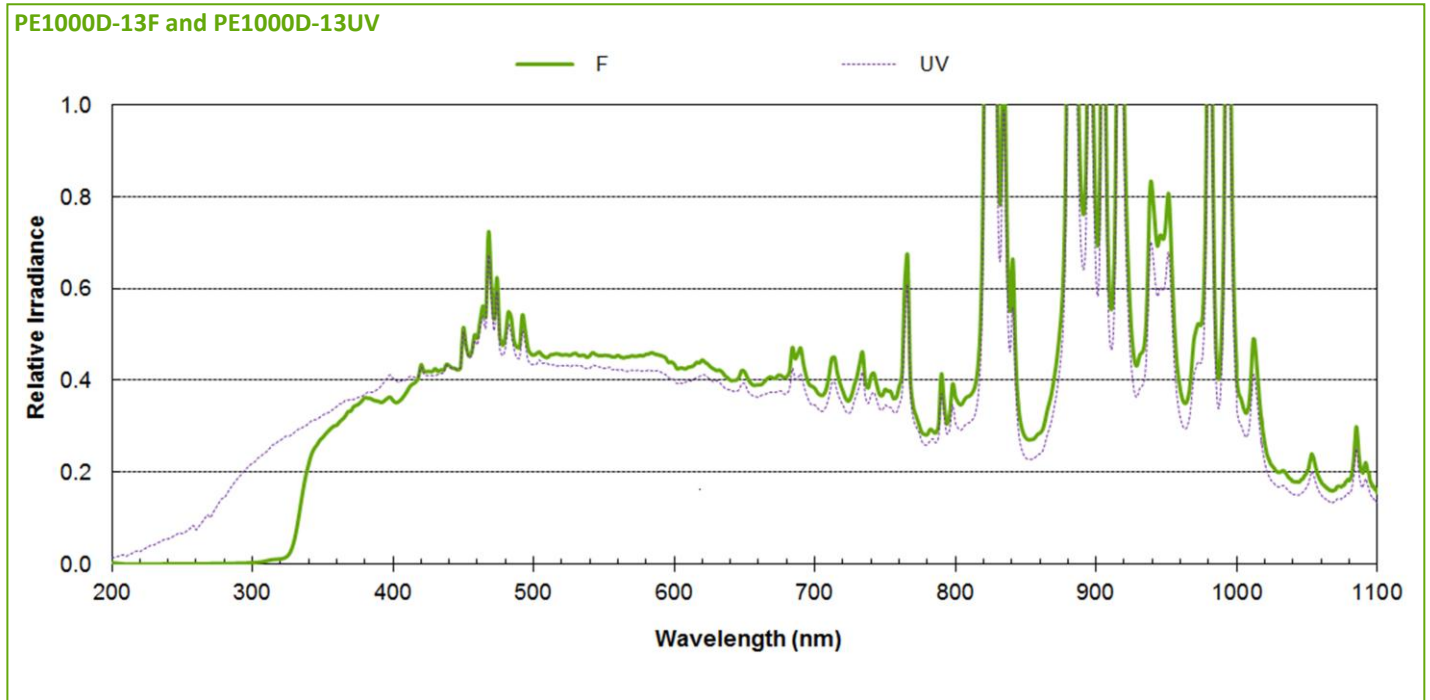
- Lamp must not be operated with window facing upwards within 45° of vertical.
- Seal temperature must not exceed 150° C.
- Current/power regulated power supplies and Excelitas lamp housing units are recommended.
- Lamp must be operated within recommended current and power range. Over powering may lead to arc instability, hard starting and premature aging.
- Cermax® Xenon lamps are much safer lamps to use than their quartz xenon arc lamp equivalents. However, caution must be practiced when operating lamps because they are under high pressure, require high voltage, reach temperatures up to 200° C, and their IR and UV radiation can cause skin burns and eye damage. Please read the Hazard Sheet included with each lamp shipment.

### Mechanical Dimensions



# PE1000D-13F and PE1000D-13UV CERMAX® XENON SHORT-ARC LAMPS

## Spectral Output



### About Excelitas Technologies

Excelitas Technologies is a global technology leader focused on delivering innovative, customized solutions to meet the lighting, detection and other high-performance technology needs of OEM customers.

From medical lighting to analytical instrumentation, clinical diagnostics, industrial, and safety and security applications, and aerospace and defense applications, Excelitas Technologies is committed to enabling our customers' success in their specialty end-markets. Excelitas Technologies has approximately 3,000 employees in North America, Europe and Asia, serving customers across the world.

**Excelitas Technologies  
Illumination, Inc.**  
44370 Christy Street  
Fremont, California  
94538-3180 USA  
Telephone: (+1) 510.979.6500  
Toll-free: (+1) 800.775.6786  
Fax: (+1) 510.687.1140  
shortarcxenon.na.com

**Excelitas Technologies Singapore,  
Private Limited.**  
47 Ayer Rajah Crescent #06-12  
Singapore 139947  
Telephone: (+65) 6775 2022 (Main Line)  
Telephone: (+65) 6770 4366  
(Customer Service Hotline)  
Fax: (+65) 6778 1752  
shortarcxenon.asia@excelitas.com

**Excelitas Technologies  
GmbH & Co. KG**  
Wenzel-Jaksch-Str. 31  
D-65199 Wiesbaden  
Germany  
Telephone: (+49) 611 492 430  
Fax: (+49) 611 492 165  
shortarcxenon.europe@excelitas.com

**Japan  
Excelitas Technologies**  
East Tower 4th Floor,  
Otemachi First Square  
1-5-1 Otemachi, Chiyoda-ku,  
Tokyo 100-0004  
Telephone: (+81) 3-5219-1228  
Fax: (+81) 3-5219-1201  
shortarcxenon.asia@excelitas.com

For a complete listing of our global offices, visit [www.excelitas.com/locations](http://www.excelitas.com/locations)

© 2012 Excelitas Technologies Corp. All rights reserved. The Excelitas logo and design are registered trademarks of Excelitas Technologies Corp. All other trademarks not owned by Excelitas Technologies or its subsidiaries that are depicted herein are the property of their respective owners. Excelitas reserves the right to change this document at any time without notice and disclaims liability for editorial, pictorial or typographical errors.

**EXCELITAS**  
TECHNOLOGIES