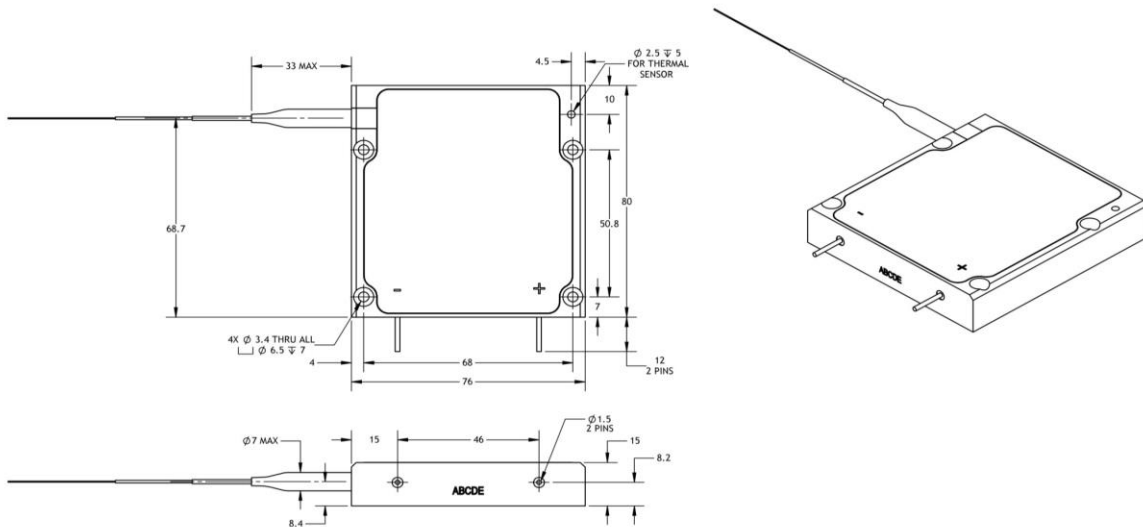


Item Description e12-12-150-0976-1-200-0.22-SI-FPT-2.0-HT-VBG
 Model e12.1500976200

ECCN: 6A005.d.1.b.1⁴

| | Units | Lower Spec | Typical | Upper Spec |
|--|---------|------------|---------------------------------|------------|
| Optical | | | | |
| CW Output Power (in fiber) | W | | 150 | |
| CW Output Power (as measured) | W | 130 | 145 | |
| Wavelength Peak | nm | 975.0 | 976.0 | 977.0 |
| Spectral Width (FWHM) | nm | | 0.3 | 1.0 |
| NA within 95% Power Enclosure | - | | 0.18 | |
| Fiber Core / Clad Diameter | µm | | 200 / 220 | |
| Fiber NA / Index Type | - | | 0.22 NA / Step Index | |
| Back Reflection Isolation 1030 - 1200nm | dB | 15 | | |
| Electrical | | | | |
| Electrical-to-Optical Efficiency | % | | 50 | |
| Threshold Current | A | | 0.8 | |
| Operating Current | A | | 16.0 | 16.0 |
| Operating Voltage | V | | 18.7 | 19.2 |
| Wavelength Stabilized Operating Current ⁵ | A | 10 | | 18 |
| Mechanical | | | | |
| Mass | g | | 440 | |
| Fiber Length | m | 1.5 | 2.0 | |
| Active Fiber Bend Radius | mm | 35 | | |
| Fiber Jacketing | - | | 900 µm Hytrel Loose Tube Buffer | |
| Fiber Termination | - | | FPT | |
| Thermal | | | | |
| Waste Heat | W | | 149 | |
| Operating (Housing) Temperature ^{2,3} | °C | | +30 | |
| Wavelength Temperature Coefficient | nm / °C | | 0.01 | |

Outline Drawing (Package Dimension 80 x 76 x 15 mm)



Notes

- 1 Production specification shown are for beginning of life performance. End of life operating current (Iop) is 110% beginning of life Iop.
- 2 A non-condensing environment is required for operation and storage. Storage conditions are from -20 to +70 °C with relative humidity between 5 to 85 %.
- 3 Operating temperature defined by the package housing.
- 4 Export Control Classification Number (ECCN) as defined by the Export Administration Regulations (EAR).
- 5 Wavelength stabilized to >95 % power in band of 974.5 nm to 977.5 nm at the rated operating temperature.

This product is not certified in accordance with IEC 60825-1 or 21CFR1040.10/ 21CFR1040.11 and is solely intended to be integrated into a laser product certified by the Purchaser. The Purchaser acknowledges that their product (incorporating the nLIGHT laser product) must comply with the applicable regulations before it can be sold.



Notice
 nLIGHT continually improves its products to provide customers with outstanding quality and reliability, therefore may change certain specifications and product descriptions at any time, without notice. Additionally, nLIGHT offers a limited warranty to ensure customer satisfaction. For complete details, please contact an nLIGHT sales representative.



nLight Corporation
 5408 NE 88th Street, Bldg E
 Vancouver, Washington 98665
 United States of America
 Phone: 866.202.4488