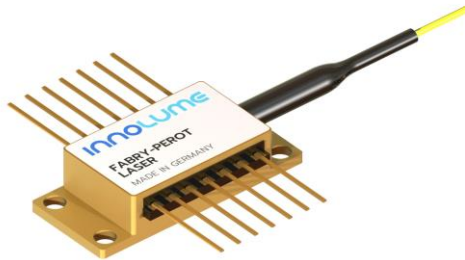


SML1215005YY350MXXXX

Fiber Coupled High Power Fabry-Perot Laser Diode



Features:

- Kink-free operation up to 350mW at 1215nm
- InAs/GaAs Quantum Dot based diode laser
- Individual burn-in and thermal cycling screening
- Proprietary mirror coating technology enabling high reliability
- Built-in monitor photodiode (optional)
- 900um loose tube on fiber (optional)

Applications:

Recommended Operating Conditions

@ CW, the case is mounted on room temperature heatsink

Parameter	Min.	Typ.	Max.	Unit
Chip Temperature*	20	25	45	°C
Forward Current		900	1100	mA
Output Power**	50		350	mW

* in some cases may vary

** kink-free over the entire range

Characteristics

@ CW, 25°C*, 900mA

Parameter	Min.	Typ.	Max.	Unit
Forward Current @ 350mW			1100	mA
Forward Voltage		1.6	1.9	V
Threshold Current		150	200	mA
Mean Wavelength	1210	1215	1220	nm
Bandwidth (FWHM)		4	8	nm
Wavelength Temperature Tunability		0.5		nm/°C
Polarisation Extinction Ratio (PER)	15	18		dB
Polarisation		TE		

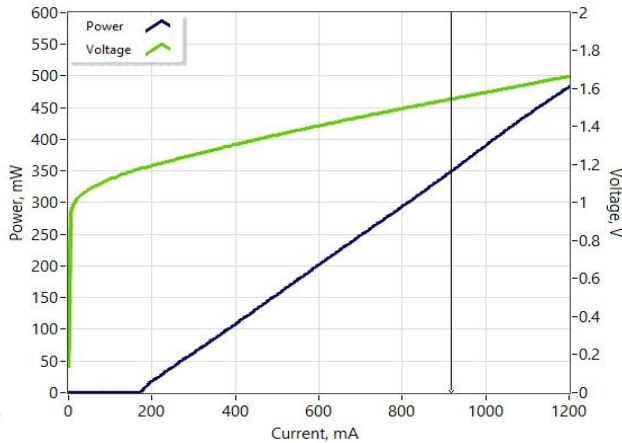
* in some cases may vary in 20-45°C range.

Absolute Maximum Ratings

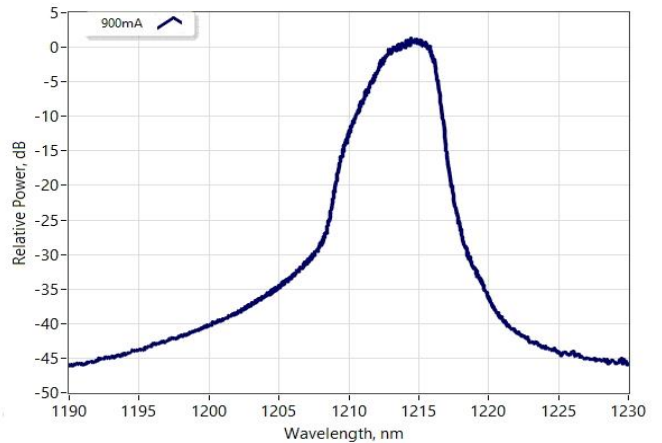
Parameter	Min	Max	Unit
Forward Current		1200	mA
Reverse Voltage		2	V
TEC Current		3	A
TEC Voltage		4	V
Chip Operating Temperature	5	50	°C
Case Operating Temperature	0	70	°C
Pin Soldering Temperature (max 10 sec, max case temperature 120°C)		300	°C
Storage Temperature	-40	85	°C
Fiber Band Radius	3		cm

Typical Performance (for reference only)

Light Current Voltage Characteristics



Optical Spectra (res. 50pm)

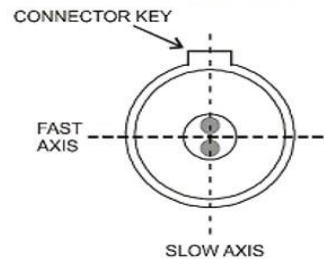
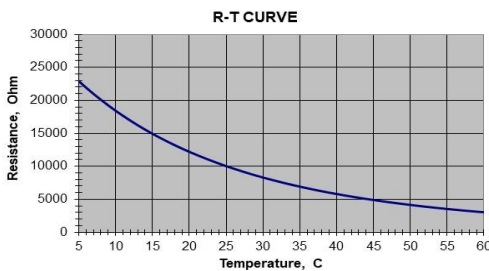


Thermistor specification

Parameters	Value	Unit
Type	NTC	
Resistance @ 25°C	10±0.1	kOhm
Beta 25-85°C	3435±1%	K

Fiber specification

Parameters	Value	Value	Unit
Fiber Type	HI1060	PM980	
Numerical Aperture (Typical)	0.14	0.12	
Cut-off Wavelength	920±50	900±70	nm
Mode-Field (core) Diameter	6.2±0.3 @1060nm	6.6±0.3 @1060nm	µm
Cladding Diameter	125±1	125±1	µm
Coating (buffer) Diameter	245±15	245±15	µm
Loose Tube Diameter (optional)	900	900	µm
Connector	FC/APC	FC/APC	
Key	narrow	narrow	

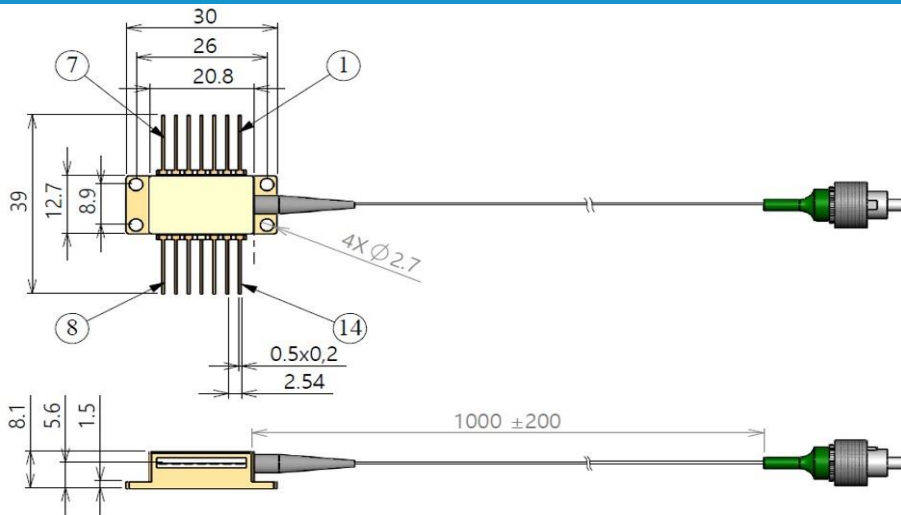


The output light is polarized along the slow axis of PM fiber.

Part-number Identification

- SML1215005PM350MXXXX -> 350mW output power at 1215nm mean wavelength, PM980 fiber
- SML1215005HI350MFXXX -> 350mW output power at 1215nm mean wavelength, HI1060 fiber, with built-in monitor photodiode
- SML1215005HI350MLXXX -> 350mW output power at 1215nm mean wavelength, HI1060 fiber, with loose tube
- SML1215005PM350MFLXX -> 350mW output power at 1215nm mean wavelength, PM980 fiber, with built-in monitor photodiode and with loose tube

Dimensions (in mm)



Pin identification:

1. TEC "+"
2. Thermistor
3. Monitor PD anode (Bias "-")
4. Monitor PD cathode (Bias "+")
5. Thermistor
6. -
7. -
8. -
9. -
10. LD anode ("+")
11. LD cathode ("-")
12. -
13. Case
14. TEC "-"

Safety and Operating Instructions

The light emitted from this device is invisible and can be harmful to the human eye. Avoid looking directly into the fiber connector when the device is in operation. Proper laser safety eyewear must be worn during operation with open connector. Absolute Maximum Ratings may be applied to the device for short period of time only. Exposure to maximum ratings for extended period of time or exposure to more than one maximum rating may cause damage or affect the reliability of the device. Operating the device outside of its maximum ratings may cause device failure or a safety hazard. Power supplies used with the component must be employed such that the maximum forward current cannot be exceeded.

A proper heatsink for the device on thermal radiator is required. The device must be mounted on radiator with 4 screws (bolt down in X-style fashion with initial torque set to 0.075Nm and final X-style bolt down at 0.15Nm) or with clamps. The deviation from flatness of radiator surface must be less than 0.05mm. It's recommended using of Indium foil or thermal conductive and soft material between bottom of the case and heatsink for thermal interface. It's undesirable to use thermal grease for this. Avoid back reflection to the device. It may give impact on the device performance in aspects of spectrum and power stability. It also may cause fatal facet damage. Using of optical isolators is highly recommended to block back reflection.

Do not pull the fiber. Do not bend a fiber with a radius smaller than 3 cm. Fiber tip should always be protected from any contamination or damage during the process of installation. After removing the dust-preventing cap covered at fiber tip, carefully clean fiber tip by wiping through one direction using optical lens cleaning paper or cotton swab dabbed with Iso-Propanol or Ethyl alcohol. Operate the device with clean fiber connector only.

Electrostatic discharge is the primary cause of unexpected product failure. Take extreme precaution to prevent ESD. During device installation, ESD protection has to be maintained - use wrist straps, grounded work surfaces and rigorous antistatic techniques when handling the product.



NOTE: Innolume product specifications are subject to change without notice