

AlGaAs | Infrared Laser Diode

ADL-83Y01SY

6-2D-LD83-011_Rev.00

Φ3.3mm Mini Package 830nm 200mW High Power Operation

Features

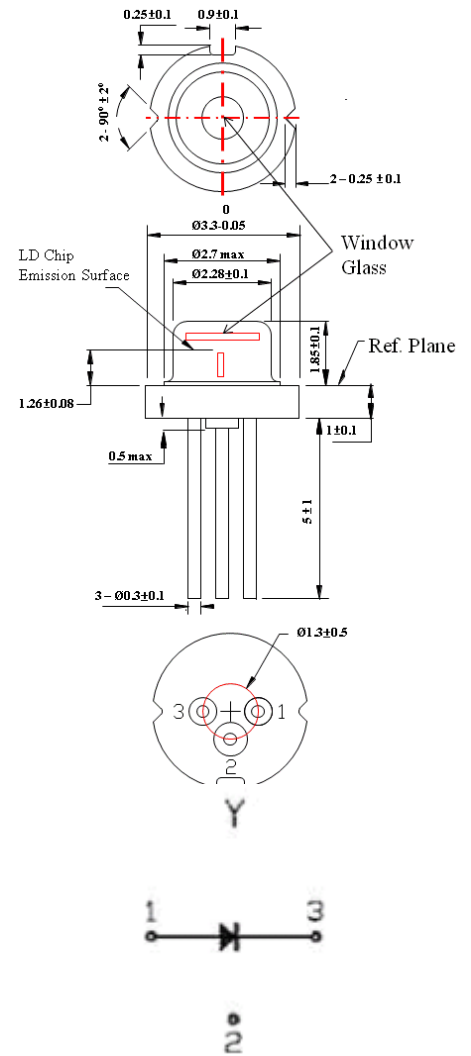
1. Smallest package
2. Small far field angle

Applications

1. Mini size optical modules
2. Light source for sensor
3. Industry

Absolute maximum ratings

Parameter	Symbol	Condition	Rating	Unit
Light output power	P_O	CW	210	mW
Reverse voltage (LD)	V_{RL}	-	2	V
Case temperature	T_C	-	-10~+60	°C
Storage temperature	T_S	-	-40~+85	°C



Electrical and optical characteristics ($T_c=25\text{ }^\circ\text{C}$)

Parameter	Symbol	Min.	Typ.	Max.	Unit	Conditions
Peak wavelength	λ	820	830	840	nm	$P_O=200\text{ mW}$
Threshold current	I_{th}	-	65	95	mA	
Operating current	I_{op}	-	260	300	mA	$P_O=200\text{mW}$
Operating voltage	V_{op}	-	1.9	2.4	V	$P_O=200\text{mW}$
Differential efficiency	η	0.8	1	1.4	mW/mA	$P_O=150\text{-}200\text{mW}$
Parallel divergence angle	$\theta_{//}$	5	7	12	deg.	$P_O=200\text{mW}$
Perpendicular divergence angle	θ_{\perp}	10	15	20	deg.	
Parallel FFP deviation angle	$\Delta\theta_{//}$	-3	0	+3	deg.	
Perpendicular FFP deviation angle	$\Delta\theta_{\perp}$	-3	0	+3	deg.	
Emission point accuracy	$\Delta x\Delta y\Delta z$	-80	0	+80	um	

• Precautions

- * Do not operate the device above maximum ratings. Doing so may cause unexpected and permanent damage to the device.
- * Take precautions to avoid electrostatic discharge and/or momentary power spikes. A change in the characteristics of the laser or premature failure may result.
- * Proper heat sinking of the device assures stability and lifetime. Always ensure that maximum operating temperatures are not exceeded.
- * Observing visible or invisible laser beams with the human eye directly, or indirectly, can cause permanent damage. Use a camera to observe the laser.
- * No laser device should be used in any application or situation where life or property is at risk in event of device failure.
- * Specifications are subject to change without notice. Ensure that you have the latest specification by contacting us prior to purchase or use of the product.

ARIMA LASERS CORP.

PHONE: 886-3-4699800 | FAX: 886-3-4699600

E-MAIL: Ldsales@arimalasers.com | www.arimalasers.com

For reference only. Contents above are subject to change without notice.

Arima
LASERS

Φ3.3mm Mini Package

830nm 200mW High Power Operation

