

**For Astrophysics and Other Ultraviolet Radiation Detection  
28 mm (1-1/8 Inch) Diameter, 11-stage, Cs-Te Photocathode  
Solar Blind Response (115 nm to 320 nm), Head-On Type**

## GENERAL

Parameter		Description/Value	Unit
Spectral Response		115 to 320	nm
Wavelength of Maximum Response		240	nm
Photocathode	Material	Cs-Te	—
	Minimum Effective Area	23	mm dia.
Window Material		MgF <sub>2</sub> Window	—
Dynode	Structure	Box and Line	—
	Number of Stages	11	—
Suitable Socket		E678-14C (supplied)	—

## MAXIMUM RATINGS (Absolute Maximum Values)

Parameter		Value	Unit
Supply Voltage	Between Anode and Cathode	1500	Vdc
	Between Anode and Last Dynode	250	Vdc
Average Anode Current		0.01	mA

## CHARACTERISTICS (at 25°C)

Parameter		Min.	Typ.	Max.	Unit
Cathode Sensitivity	Radiant at 254nm	—	28	—	mA/W
Anode Sensitivity	Radiant at 254nm	$4.0 \times 10^3$	$1.4 \times 10^4$	—	A/W
Gain		—	$5.0 \times 10^5$	—	—
Anode Dark Current (after 30min. storage in darkness)		—	0.3	1.0	nA
Time Response	Anode Pulse Rise Time	—	4.0	—	ns
	Electron Transit Time	—	30	—	ns

**NOTE:** Anode characteristics are measured with the voltage distribution ratio shown below.

## VOLTAGE DISTRIBUTION RATIO AND SUPPLY VOLTAGE

Electrodes	K	Dy1	Dy2	Dy3	Dy4	Dy5	Dy6	Dy7	Dy8	Dy9	Dy10	Dy11	P
Ratio	1	1	1	1	1	1	1	1	1	1	1	1	1

Supply Voltage: 1000Vdc, K: Cathode, Dy: Dynode, P: Anode

# PHOTOMULTIPLIER TUBE R6836

Figure 1: Typical Spectral Response

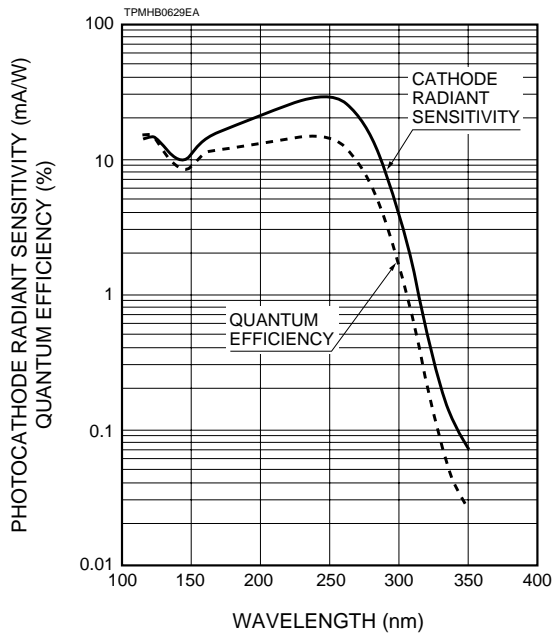


Figure 2: Typical Gain Characteristics

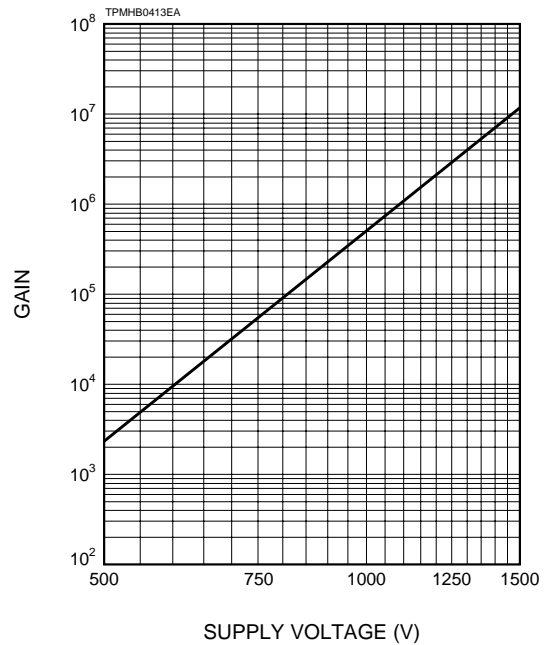
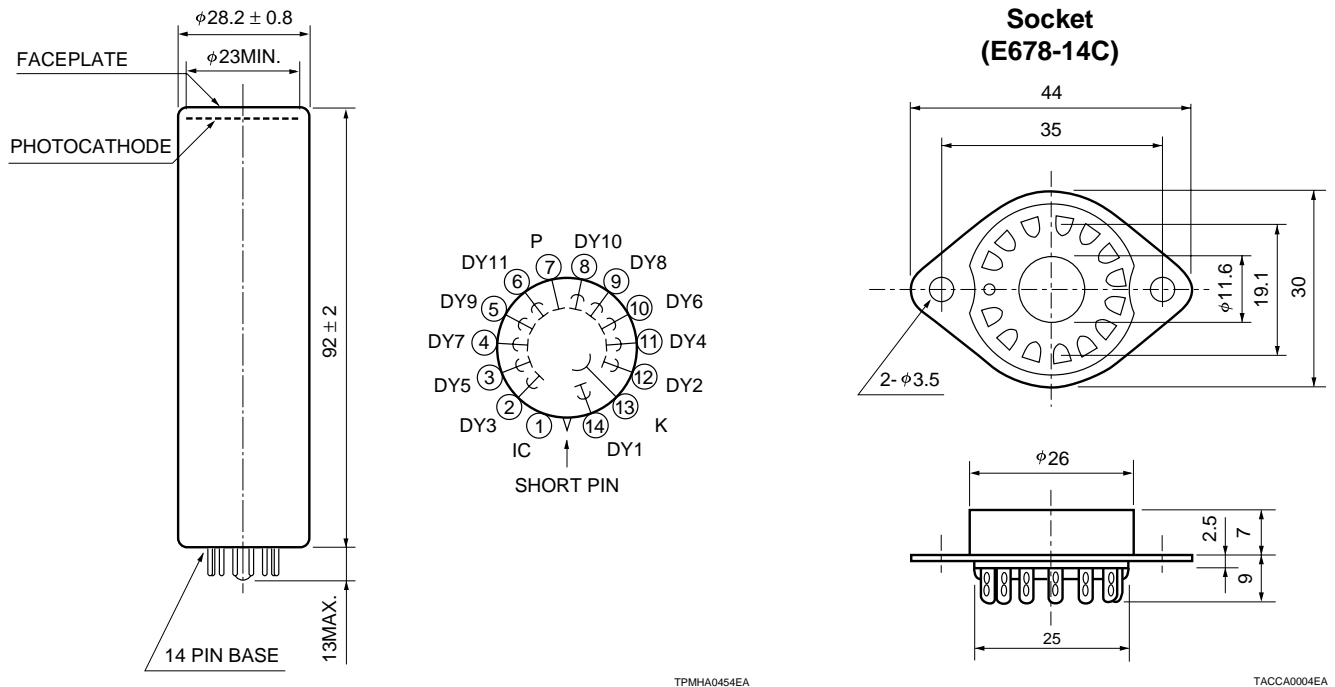


Figure 3: Dimensional Outline and Basing Diagram (Unit: mm)



# HAMAMATSU

HAMAMATSU PHOTONICS K.K., Electron Tube Center

314-5, Shimokanzo, Toyooka-village, Iwata-gun, Shizuoka-ken, 438-0193, Japan, Telephone: (81)539/62-5248, Fax: (81)539/62-2205

U.S.A.: Hamamatsu Corporation: 360 Foothill Road, P. O. Box 6910, Bridgewater, N.J. 08807-0910, U.S.A., Telephone: (1)908-231-0960, Fax: (1)908-231-1218

Germany: Hamamatsu Photonics Deutschland GmbH: Arzbergerstr. 10, D-82211 Herrsching am Ammersee, Germany, Telephone: (49)8152-375-0, Fax: (49)8152-2658

France: Hamamatsu Photonics France S.A.R.L.: 8, Rue du Saule Trapu, Parc du Moulin de Massy, 91882 Massy Cedex, France, Telephone: (33)1 69 53 71 00, Fax: (33)1 69 53 71 10

United Kingdom: Hamamatsu Photonics UK Limited: Lough Point, 2 Gladbeck Way, Windmill Hill, Enfield, Middlesex EN2 7JA, United Kingdom, Telephone: (44)181-367-3560, Fax: (44)181-367-6384

North Europe: Hamamatsu Photonics Norden AB: Smidesvägen 12, SE-171-41 SOLNA, Sweden, Telephone: (46)8-509-031-00, Fax: (46)8-509-031-01

Italy: Hamamatsu Photonics Italia: S.R.L.: Strada della Moia, 1/E, 20020 Arese, (Milano), Italy, Telephone: (39)02-935 81 733, Fax: (39)02-935 81 741

TPMH1264E01  
MAR. 1999