



**PRODUCT DATA SHEET**

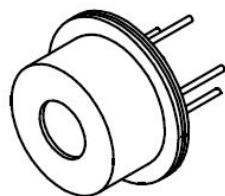
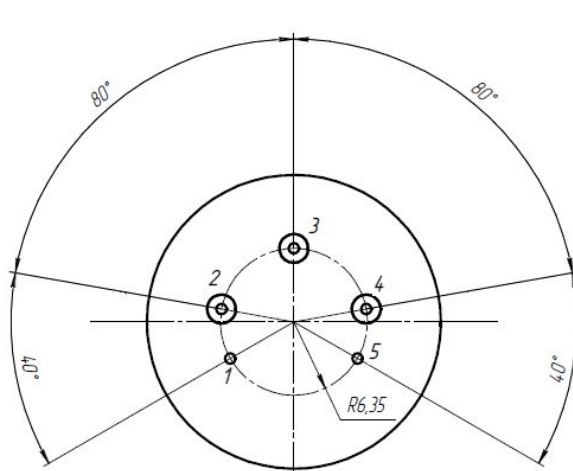
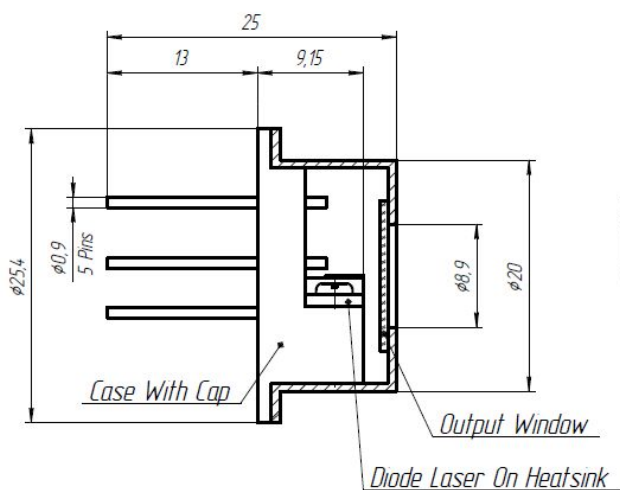
Laser Diode (TO-3 package)

Model FB-M1915-300TO3

Specification	Symbol	Typical	Unit
Laser Emitter			
Peak Wavelength	$\lambda_{op}$	1915±15	nm
CW Optical Output Power	$P_{op}$	0.3	W
Operation Current	$I_{op}$	<3.5	A
Operation Voltage	$U_{ld}$	<1.4	V
Threshold Current	$I_{th}$	<1	A
Beam Divergence (FWHM)	$\theta_{  }$	8±2	degree
Beam Divergence (FWHM)	$\theta_{\perp}$	1	degree
Spectrum Half-Width (FWHM)	$\Delta\lambda$	<8	nm
Emitting Area	$W \times d$	100x1	$\mu m \times \mu m$
Operation Mode	CW	continuous	-
Operation Temperature	$T_{op}$	25	degree
Operation Temperature Range		-20... +40	degree
Storage Temperature Range		-40... +80	degree

Drawings:

## Drawings



1, 5	LD +
2	PD +
3	PD -
4	LD -