

High Power Red Laser Diode

ADL-63T01NY

6-2D-LD63-087_Rev.04

635nm 0.7W TO9 (9mm) PKG

Features

High power
High brightness
Long lifetime

Applications

Laser display
PDT
Biochemistry
Military
Medical/Life and health sciences
Illumination

Absolute maximum ratings

Parameter	Symbol	Condition	Rating	Unit
Light output power	P_O	CW	800	mW
Reverse voltage (LD)	V_{RL}	-	2	V
Case temperature	T_C	-	-10~+30	°C
Storage temperature	T_S	-	-40~+85	°C

Electrical and optical characteristics ($T_c=25\text{ }^\circ\text{C}$)

Parameter	Symbol	Min.	Typ.	Max.	Unit	Conditions
Peak wavelength	λ	628	638	648	nm	$P_o=700\text{mW}$
Emitter size		-	50	-	um	
Polarization			TM			
Threshold current	I_{th}	-	500	600	mA	
Operating current	I_{op}	-	1400	1600	mA	$P_o=700\text{mW}$
Operating voltage	V_{op}	-	2.5	3.0	V	$P_o=700\text{mW}$
Differential efficiency	η	-	0.85	-	mW/mA	$P_o=20\text{-}200\text{mW}$
Parallel divergence angle	$\theta_{//}$	-	7	-	deg	$P_o=700\text{mW}$
Perpendicular divergence angle	θ_{\perp}	-	22	-	deg	

* Sufficient heat dissipation is required for CW operation.

• Precautions

- * Do not operate the device above maximum ratings. Doing so may cause unexpected and permanent damage to the device.
- * Take precautions to avoid electrostatic discharge and/or momentary power spikes. A change in the characteristics of the laser or premature failure may result.
- * Proper heat sinking of the device assures stability and lifetime. Always ensure that maximum operating temperatures are not exceeded.
- * Observing visible or invisible laser beams with the human eye directly, or indirectly, can cause permanent damage. Use a camera to observe the laser.
- * No laser device should be used in any application or situation where life or property is at risk in event of device failure.
- * Specifications are subject to change without notice. Ensure that you have the latest specification by contacting us prior to purchase or use of the product.

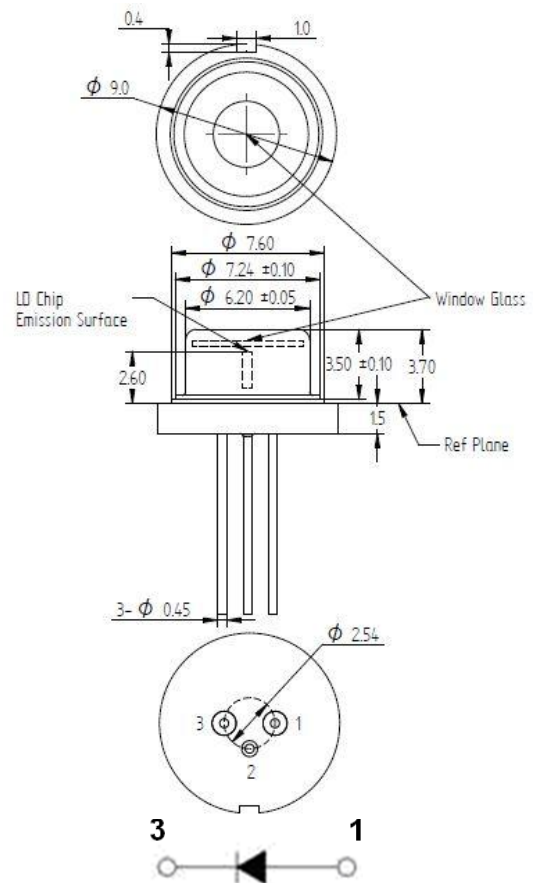
ARIMA LASERS CORP.

PHONE: 886-3-4699800 | FAX: 886-3-4699600

E-MAIL: Ldsales@arimalasers.com | www.arimalasers.com

For reference only. Contents above are subject to change without notice.

Unit: mm



Arima
LASERS

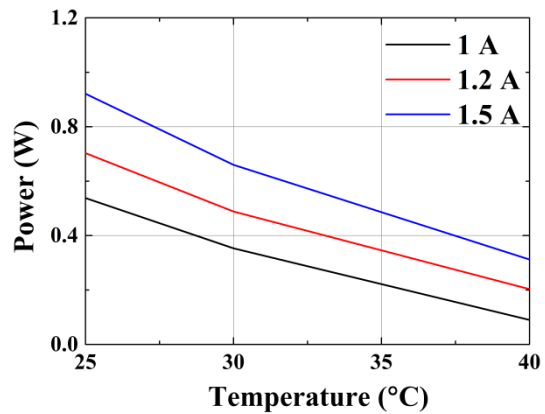
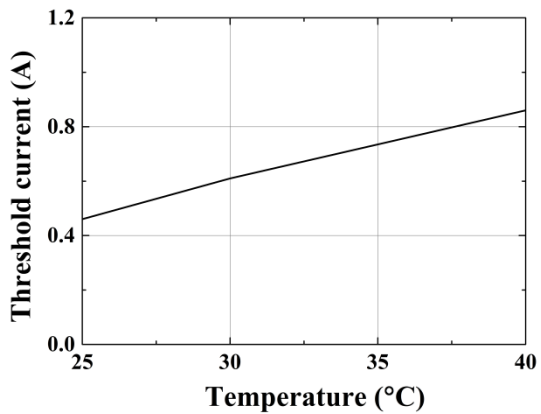
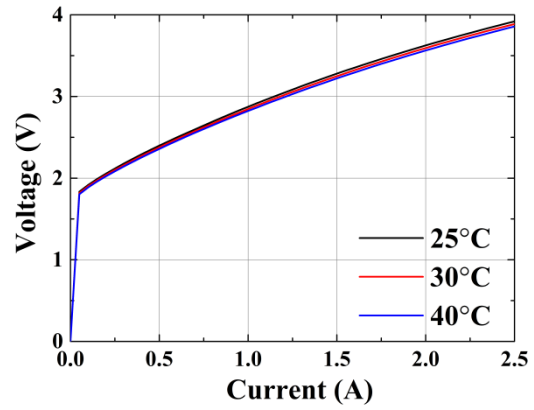
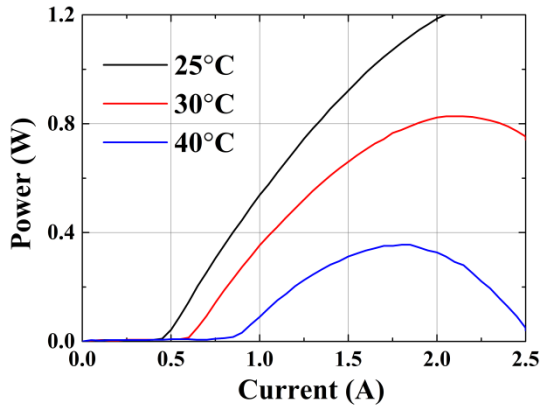
High Power Red Laser Diode

ADL-63T01NY

6-2D-LD63-087_Rev.04

635nm 0.7W TO9 (9mm) PKG

* Specifications are subject to change without notice. Ensure that you have the latest specification by contacting us prior to purchase or use of the product.



ARIMA LASERS CORP.

PHONE: 886-3-4699800 | FAX: 886-3-4699600

E-MAIL: Ldsales@arimalasers.com | www.arimalasers.com

For reference only. Contents above are subject to change without notice.

Arima
LASERS