



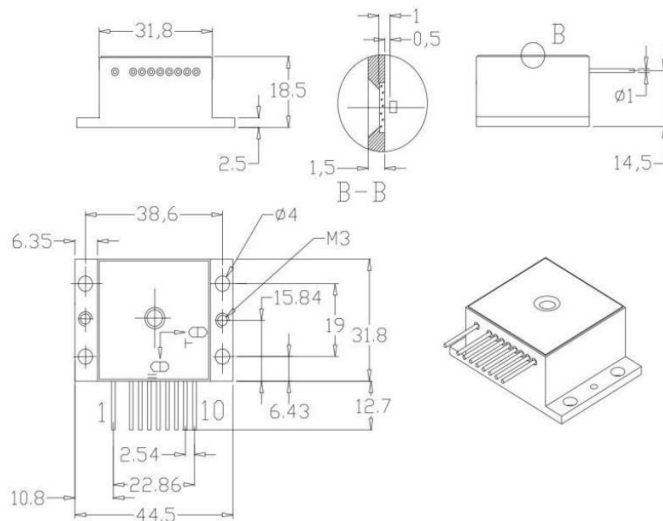
PRODUCT DATA SHEET

Laser Diode (HHL w/window package)

Model FB-M1985-300HO

| Specification | Symbol | Typical | Unit |
|------------------------------------|--------------------------|------------|----------------------|
| Laser Emitter | | | |
| Peak Wavelength | I_{op} | 1985±15 | nm |
| CW Optical Output Power | P_{op} | 0.3 | W |
| Operation Current | I_{op} | <4.0 | A |
| Operation Voltage | U_{ld} | <1,4 | V |
| Threshold Current | I_{th} | <1 | A |
| Beam Divergence (FWHM) | $\theta_{ }$ | 8±2 | degree |
| Beam Divergence (FWHM) | θ_{\perp} | 1 | degree |
| Spectrum Half-Width (FWHM) | $\Delta\lambda$ | <8 | nm |
| Emitting Area | $W \times d$ | 100x1 | $\mu m \times \mu m$ |
| Operation Mode | CW | continuous | - |
| Operation Temperature | T_{op} | 25 | degree |
| TEC | | | |
| Maximum Current | | 5 | A |
| Maximum Operation Voltage | | 3,8 | V |
| Thermistor | | | |
| Resistance | | 10 | kilohm |
| Wavelength Temperature Coefficient | $\Delta\lambda/\Delta T$ | 9.0±0.5 | Å/degree |
| Operation Temperature Range | | -20... +40 | degree |
| Storage Temperature Range | | -40... +80 | degree |
| | | | |
| | | | |

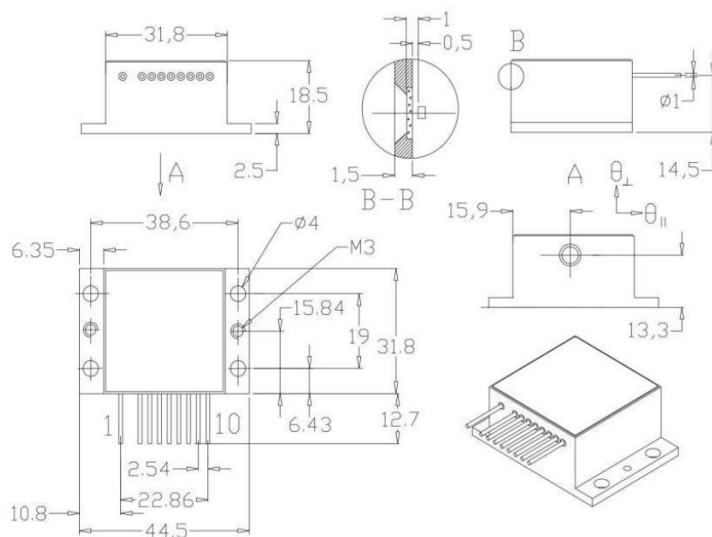
Output window on the top of HHL (optional)



- 1-TEC (-)
- 2- 3-
- 4- Laser Anode(+)
- 5- Thermistor (2)
- 6- Thermistor (1)
- 7- Laser Cathode (-)
- 8-
- 9-
- 10- TEC (+)

Output window of 0.5 mm in thickness

Output window on the front side of HHL (by default)



- 1- TEC (-)
- 2- 3-
- 4- Laser Anode(+)
- 5- Thermistor (2)
- 6- Thermistor (1)
- 7- Laser Cathode (-)
- 8-
- 9-
- 10- TEC (+)

Output window of 0.5 mm in thickness