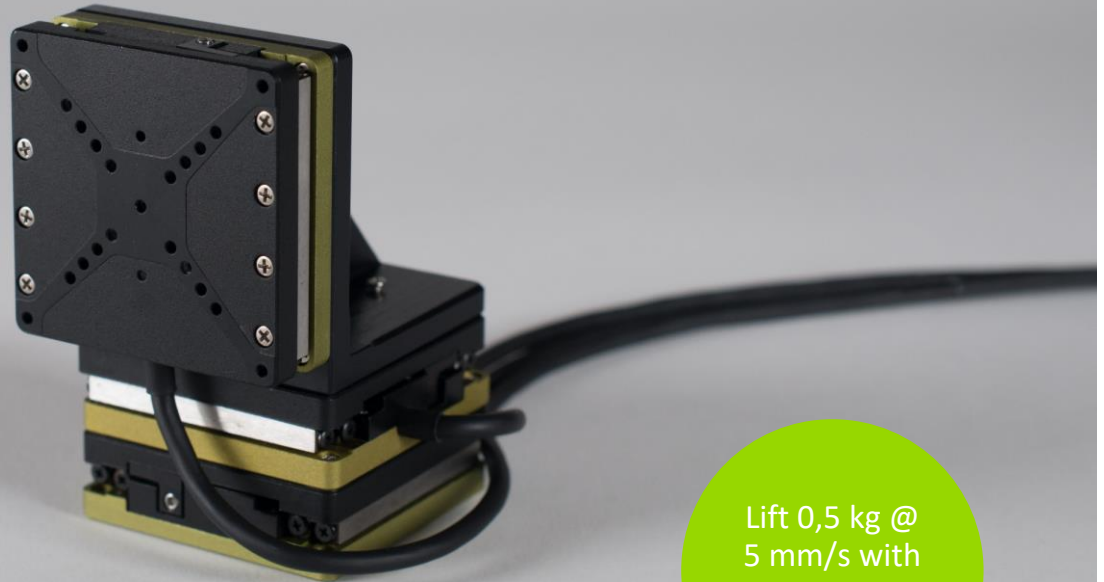


GO



Lift 0,5 kg @
5 mm/s with
nanometer
resolution

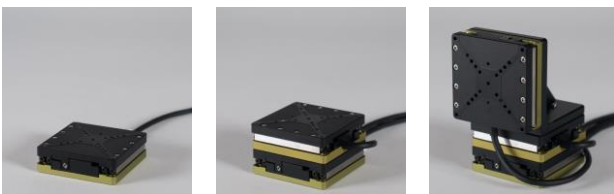
PRECIBEO GO Stages

Precise & Powerful Piezo Stages

Nanometer Resolution Motion for Semicon & LifeSci

The PRECIBEO GO Stages move with nanometer precision over centimeter distances, lift up to 500 grams and are self-locking at rest.

The PRECIBEO GO Stages come with an integrated position sensor and are designed for delivering the precision, load capacity and ease of use needed for fast and simple set up.



Choose one, two or three stages together with the optional L-bracket and create your multi axis system. Plug the stage cable connectors into the PRECIBEO GO Controller and you are ready to GO!

Modular Multi Axis System

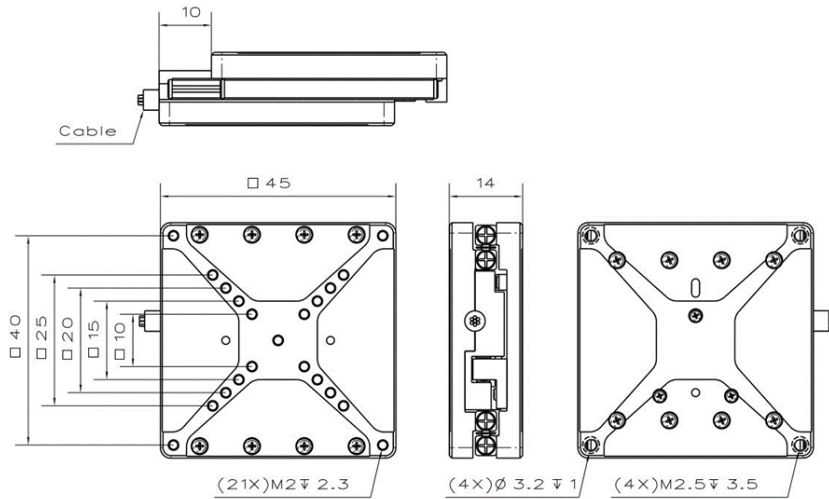
- 5 N Push / Pull Force
- Lifts up to 0,5 kg at >5 mm/s
- 2 nm Minimum Incremental Motion
- Smooth Continuous Motion
- Fast Step & Settling Times
- Self-Locking at Rest



PRECIBEO AB
Axel Johanssons Gata 4
SE-75450 Uppsala
SWEDEN

Tel. +46 18 700 13 40
sales@precibeo.com
www.precibeo.com

 **PRECIBEO**
MAKING PRECISION AVAILABLE



Technical Specification

MODEL	GO STAGE LLS4545	GO STAGE LLS6545	GO STAGE LLS8545
POSITIONING			
TRAVEL (X)	20 mm	35 mm	50 mm
POSITION SENSOR	Optical Encoder		
SENSOR RESOLUTION	2 nm		
MIN INCREMENTAL MOTION	2 nm		
BIDIRECTIONAL REPEATABILITY	+/- 100 nm (typ. @ full travel)		
STRAIGHTNESS & FLATNESS	+/- 2 µm (typ.)		
PITCH	+/- 150 µrad (typ.)		
YAW	+/- 150 µrad (typ.)		
MOTION			
MAX OPERATING FORCE (PUSH / PULL)	5 N (min.)		
HOLDING FORCE (WHEN POWER IS OFF)	6 N (min.)		
MAX SPEED (AT NO LOAD)	8 mm/s		
MAX SPEED (AT MAX OPERATING FORCE)	5 mm/s (min.)		
DRIVE TYPE			
MOTOR TYPE	Piezo Drive		
MECHANICAL			
MAX LOAD (IN X,Y OR Z DIRECTION)	0,5 kg		
GUIDE TYPE	Crossed Roller		
SIZE	45x45x14 mm	65x45x14 mm	85x45x14 mm
WEIGHT (W/O CABLE & CONNECTOR)	75 g (+-10%)	105 g (+-10%)	135 g (+-10%)
MISCELLANEOUS			
CABLE	2 m cable (+-5%)		
MATERIAL	Anodized Aluminum		

High vacuum versions for 10^{-6} mbar are available on request.

Order Information

Please contact us by phone (+46 18 700 13 40) or email (sales@precibeo.com) for any enquiries.

PRODUCT	DESCRIPTION
GO-LLS4545	One GO Stage LLS4545 with Cable and Connector including: <ul style="list-style-type: none"> 4 M2 screws for mounting the stage to a substrate.
GO-LLS6545	One GO Stage LLS6545 with Cable and Connector including: <ul style="list-style-type: none"> 4 M2 screws for mounting the stage to a substrate.
GO-LLS8545	One GO Stage LLS8545 with Cable and Connector including: <ul style="list-style-type: none"> 4 M2 screws for mounting the stage to a substrate.
VM-LLS4545	One L-Bracket for vertical mounting of the stages, e.g. YZ-configuration, including: <ul style="list-style-type: none"> 8 M2 screws for mounting two stages to the L-Bracket.

Disclaimer: Specifications of the product do not constitute a warranty of the properties. They are intended for information purposes only and are subject to change.