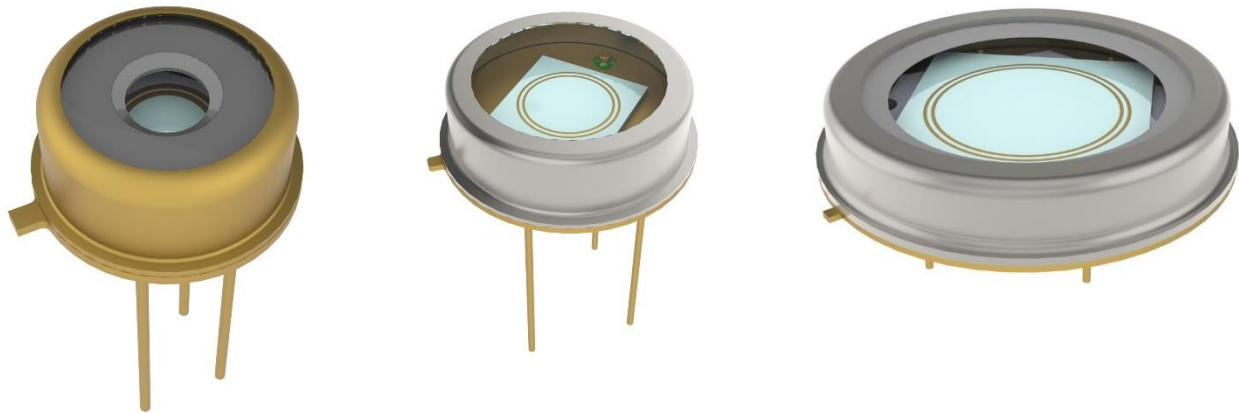


YAG series – YAG-100AH, YAG-200H and YAG-444AH

Long Wavelength Enhanced Silicon PIN Photodiodes



The YAG series high-performance Si PIN photodiodes are well-suited for applications using 1064 nm (YAG) lasers.

Key Features & Benefits

- Planar Diffused
- Large Area
- Wide Dynamic Range
- >50% DC Quantum Efficiency at 1064 nm
- >38% Pulsed Quantum Efficiency at
- 1064 nm with 20 ns Pulse Width
- Wide Spectral Range
- >90% DC Quantum Efficiency at 900 nm
- Peak Responsivity: 0.7 A/W at 1000 nm

Applications

- Instrumentation
- Laser range finding
- Laser warning receivers
- Missile guidance systems

YAG series – YAG-100AH, YAG-200H and YAG-444AH

Long Wavelength Enhanced Silicon PIN Photodiodes

Table 1 - Mechanical and Optical Characteristics

Parameter	YAG-100AH	YAG-200H	YAG-444AH	Unit
Shape	Circular, single element	Circular, single element	Circular, single element	
Photosensitive Surface:				
Useful area	5.6	20	100	mm ²
Useful diameter	2.7	5.1	11.3	mm
Package	TO-5	TO-8	TO-36	
Window Type	Glass	Glass	Glass	

Table 2 - Electro-Optical Characteristics

Operating data and specifications at 23°C – typical performance at 180V reverse voltage bias

Parameter	Symbol	YAG-100AH			YAG-200H			YAG-444AH			Units
		Min	Typical	Max	Min	Typical	Max	Min	Typical	Max	
Active area	A		5.6			20			100		mm ²
Spectral range		400		1150	400		1150	400		1150	nm
Responsivity	R										A/W
at 1000 nm			0.70			0.70			0.70		
at 1064 nm			0.44			0.44			0.44		
at 1064 nm (window ARC)			0.47			0.47			0.47		
Bandwidth at 1060 nm, 50 Ω load			30			30			30		MHz
Rise time, 50 Ω load	t _r		12			12			12		ns
Operating voltage	V _{op}	0		180	0		180	0		180	V
Breakdown voltage	V _{br}	200			200			200			V
Capacitance	C _d		2.5			6.0			35		pF
Dark current	i _d		11	20		25	100		80	200	nA
Channel resistance			>1.0			>1.0			>1.0		MΩ
Noise current	i _N		0.06			0.09			0.16		pA/√Hz
Noise equivalent power ^{1,2}	NEP		0.08			0.13			0.23		pW/√Hz
Response linearity (over 7 decades)			<1%			<1%			<1%		
Operating Temperature	T _o	-55		125	-55		125	-55		125	°C
Field of View: (See Figure 6)	FoV										Degrees
Nominal field of view α			1			135			105		
Nominal field of view α'			95				155			160	

Note 1: At 1000 nm, 1 MHz.

Note 2: The NEP is specified in dark conditions and defined as $NEP = \frac{i_N}{R(\lambda)}$.

Note 3: Exposure to absolute maximum rating conditions for extended periods may affect device reliability.

Long Wavelength Enhanced Silicon PIN Photodiodes

Figure 1 - Typical Spectral Response

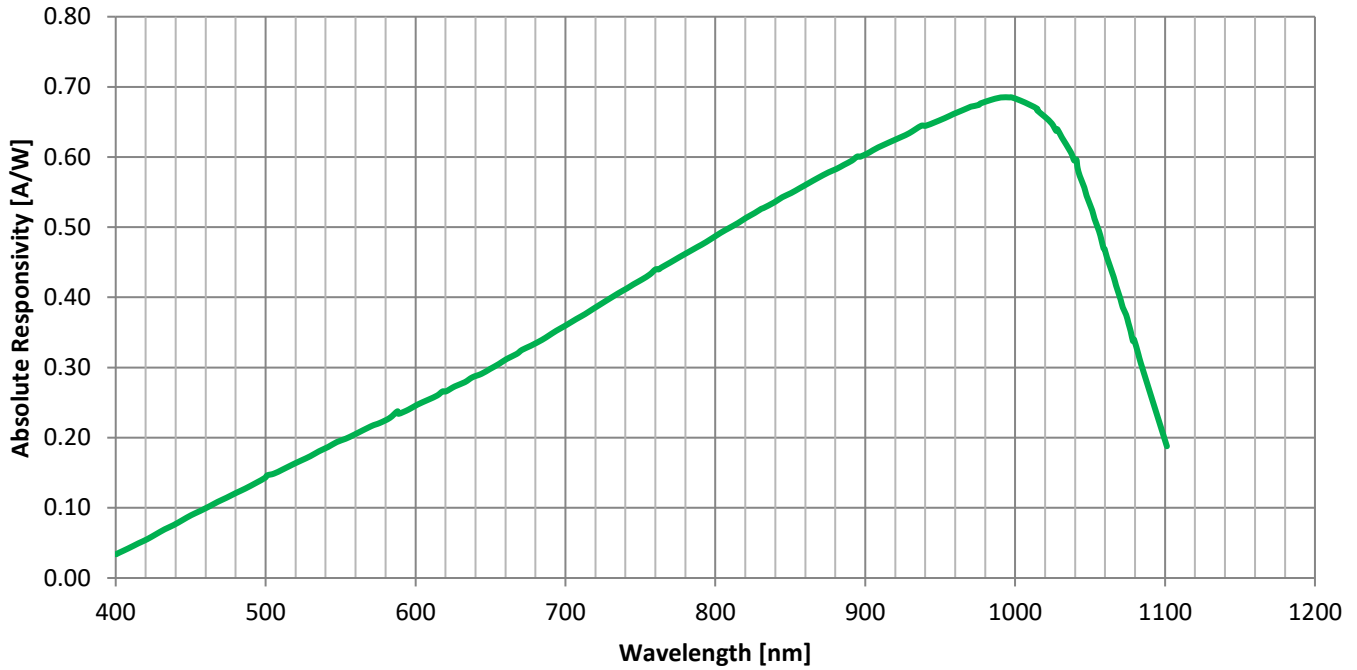
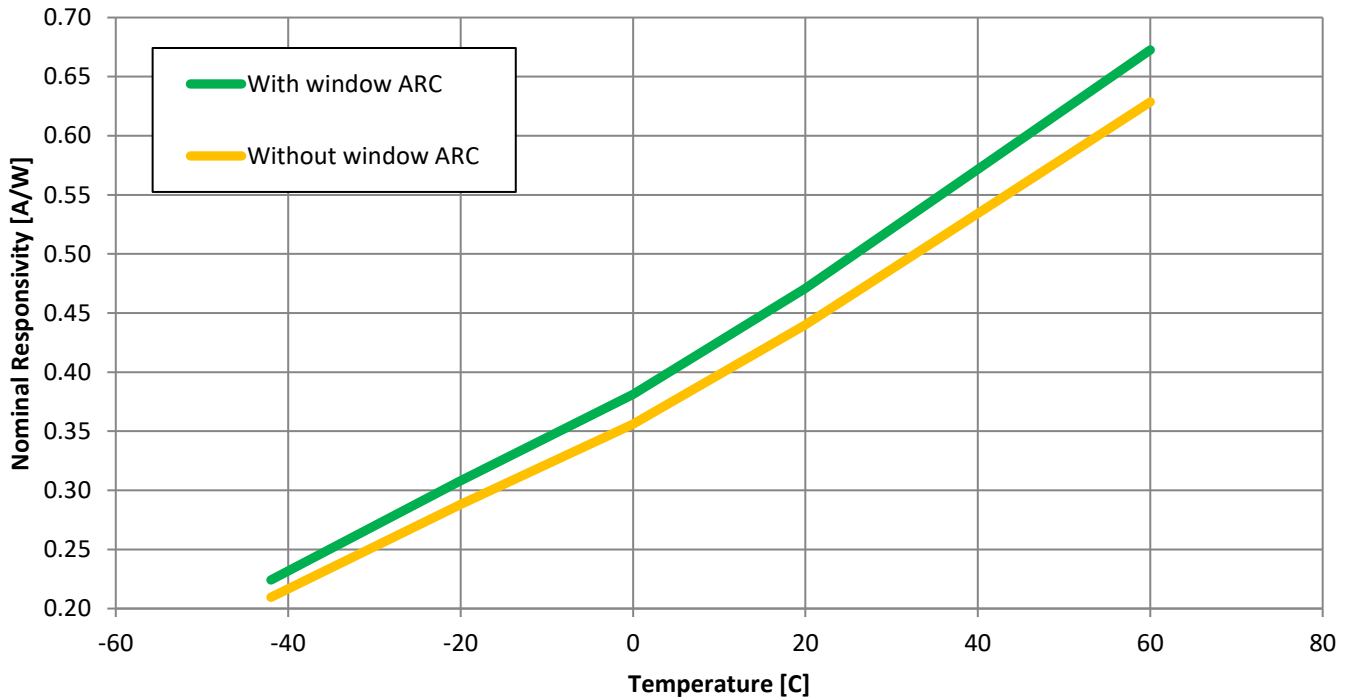
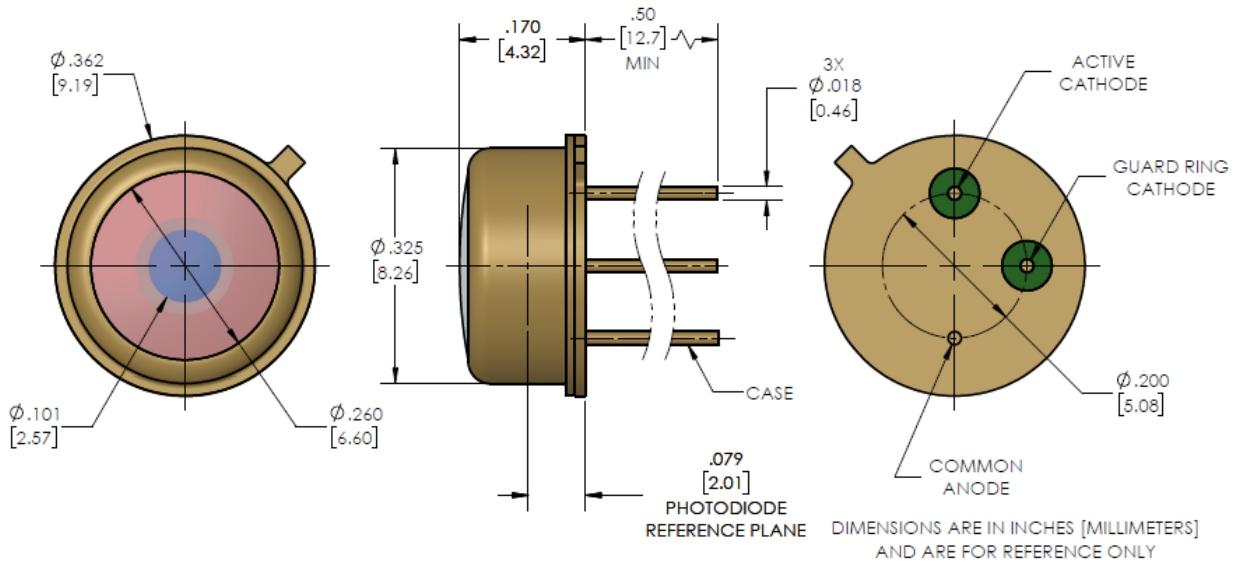


Figure 2 - Typical increase in responsivity as a function of photodiode temperature



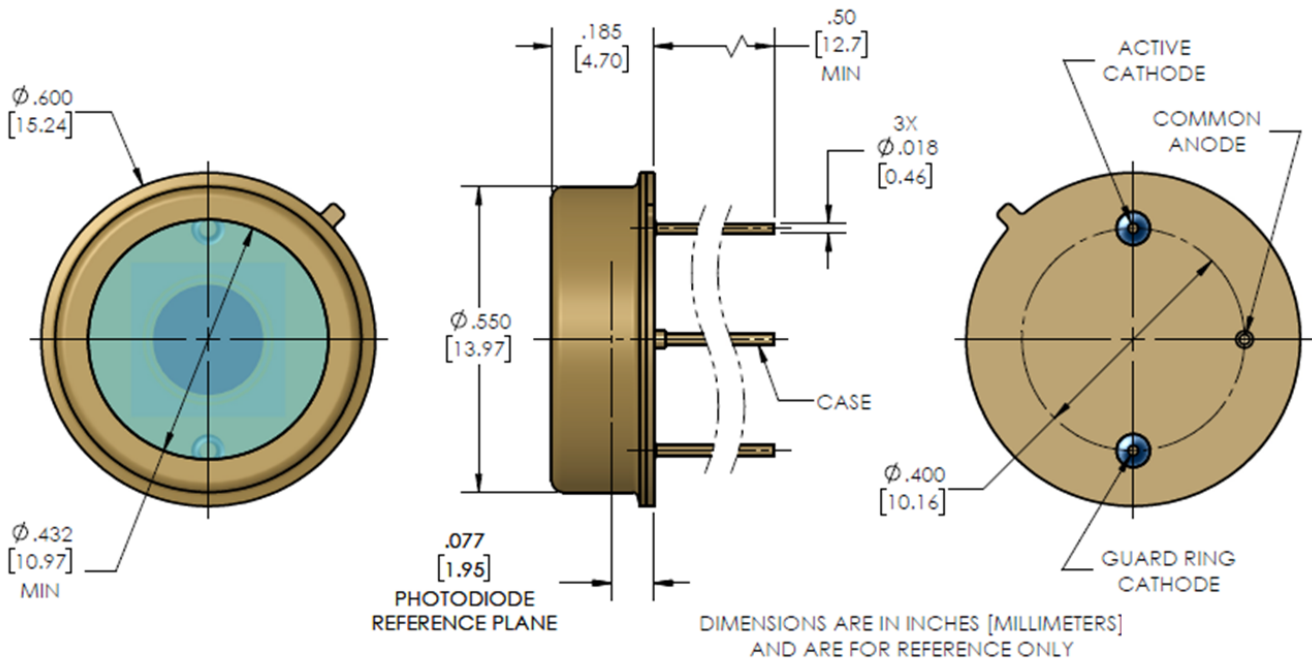
Long Wavelength Enhanced Silicon PIN Photodiodes

Figure 3 - YAG-100AH Package Dimensions (reference only and subject to change without notice)



VS-167R2 (YAG-100)

Figure 4 - YAG-200H Package Dimensions (reference only and subject to change without notice)



VS-323R2 (YAG-200)

Long Wavelength Enhanced Silicon PIN Photodiodes

Figure 5 - YAG-444AH Package Dimensions (reference only and subject to change without notice)

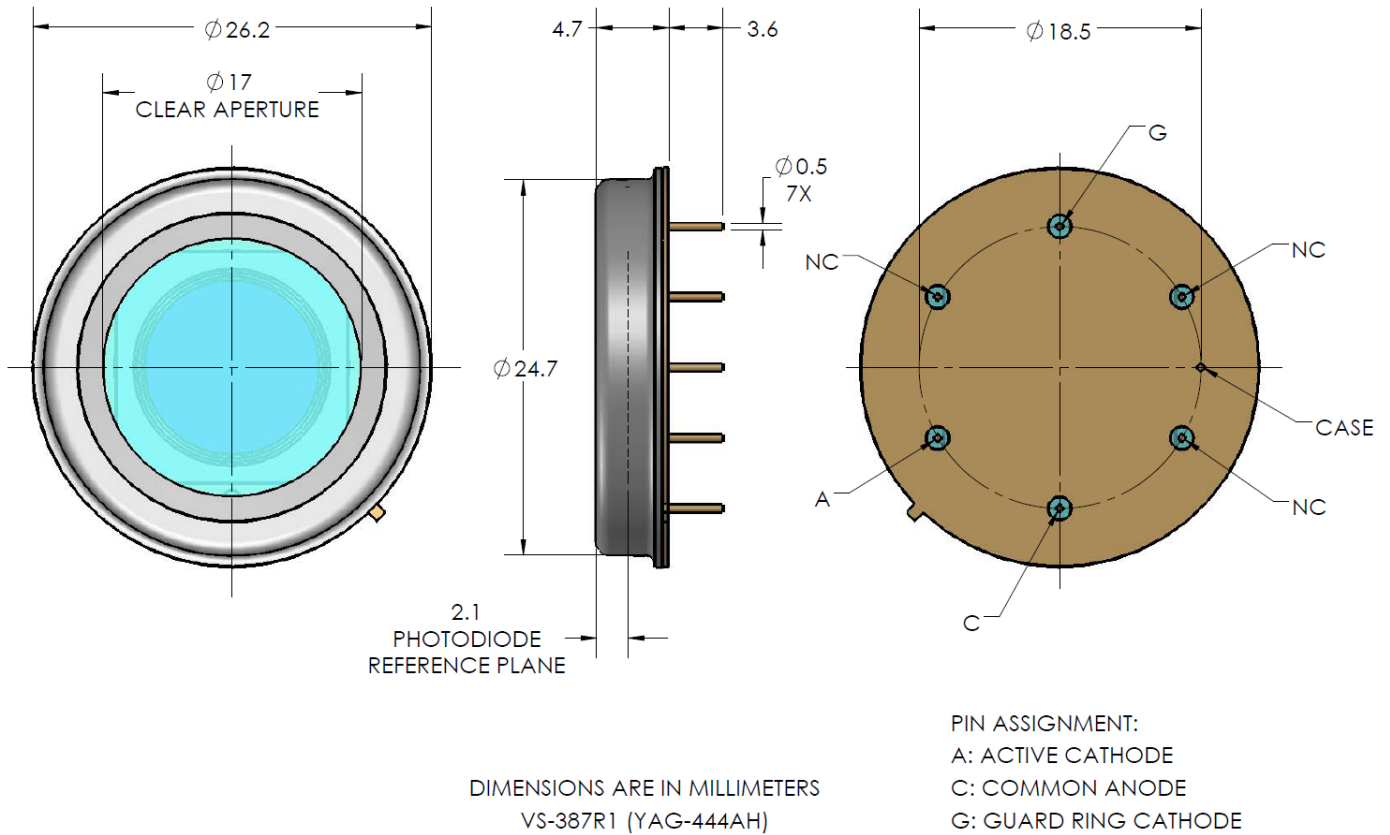
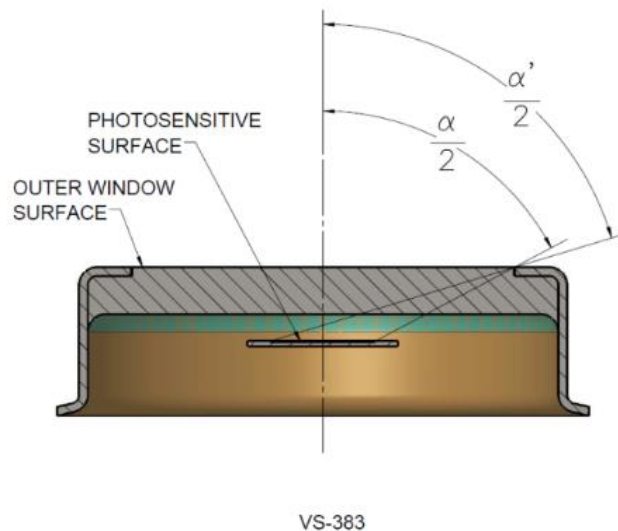


Figure 6 - Approximate field of view

For incident radiation at angles $\leq \alpha/2$, the photosensitive surface is totally illuminated.

For incident radiation at angles $> \alpha/2$, but $\leq \alpha'/2$, the photosensitive surface is partially illuminated.



Long Wavelength Enhanced Silicon PIN Photodiodes

Information

The YAG series are high-performance P-type Si PIN photodiodes in hermetically sealed TO packages. These photodiodes perform well over the 400 nm to 1100 nm wavelength range and use a thicker Si material for enhanced IR responsivity, making them ideal for 1064 nm detection applications, while maintaining fast response time.

A guard ring has been implemented to collect the higher surface leakage current of a P-type detector. This also serves to collect current generated outside the active area, ensuring the current will not contribute to noise. This is advantageous for applications when the entire chip is illuminated or when nuclear particles outside the active area could create noise.

Recognizing that different applications have different performance requirements, Excelitas offers a wide range of customization of these photodiodes to meet your design challenges. Responsivity and noise screening, N-type variants, YAG-optimized anti-reflection coatings (ARC) on the window, varying pin length and custom device testing and packaging are among many of the application specific solutions available.

Export controls

Due to specific parameters, some of these photodiodes fall under the Canada's Export Controls List (ECL) and require an End User Statement from all purchasing parties as an export permit may be required for some destinations.

Electrostatic discharge (ESD) warning

Si PINs should only be handled at an ESD-safe workstation.

RoHS Compliance

The YAG series are designed and built to be fully compliant with the European Union Directive on Restriction of the use of certain Hazardous Substances (RoHS) in Electrical and Electronic equipment.



Warranty

A standard 12-month warranty following shipment applies. Any warranty is null and void if the photodiode window has been opened.

YAG series – YAG-100AH, YAG-200H and YAG-444AH

Long Wavelength Enhanced Silicon PIN Photodiodes

About Excelitas Technologies

Excelitas Technologies is a global technology leader focused on delivering innovative, customized solutions to meet the lighting, detection and other high-performance technology needs of OEM customers.

Excelitas has a long and rich history of serving our OEM customer base with optoelectronic sensors and modules for more than 45 years beginning with PerkinElmer, EG&G, and RCA. The constant throughout has been our innovation and commitment to delivering the highest quality solutions to our customers worldwide.

From aerospace and defense to analytical instrumentation, clinical diagnostics, medical, industrial, and safety and security applications, Excelitas Technologies is committed to enabling our customers' success in their specialty end-markets. Excelitas Technologies has approximately 7,000 employees in North America, Europe and Asia, serving customers across the world.

Excelitas Technologies

22001 Dumberry Road
Vaudreuil-Dorion, Quebec
Canada J7V 8P7
Telephone: (+1) 450.424.3300
Toll-free: (+1) 800.775.6786
Fax: (+1) 450.424.3345

Excelitas Technologies

GmbH & Co. KG
Wenzel-Jaksch-Str. 31
D-65199 Wiesbaden
Germany
Telephone: (+49) 611 492 430
Fax: (+49) 611 492 165

Excelitas Technologies Singapore, Pte. Ltd.

8 Tractor Road
Singapore 627969
Telephone: (+65) 6775 2022 (Main number)
Telephone: (+65) 6770 4366 (Customer Service)
Fax: (+65) 6778-1752



Contact us at <http://www.excelitas.com/contact>

For a complete listing of our global offices, visit www.excelitas.com/locations

© 2023 Excelitas Technologies Corp. All rights reserved. The Excelitas logo and design are registered trademarks of Excelitas Technologies Corp. All other trademarks not owned by Excelitas Technologies or its subsidiaries that are depicted herein are the property of their respective owners. Excelitas reserves the right to change this document at any time without notice and disclaims liability for editorial, pictorial or typographical errors.