

High Power Multi-Junction Pulsed Laser Diodes 905D1S3JT0XX

Features

- Multi-junction devices up to 115 W
- 75 μm , 150 μm and 225 μm source size
- 3.2 W/A efficiency
- Proven InGaAs / GaAs high reliability structure
- High power multi-junction structure for narrow far field
- Excellent temperature stability
- Hermetic and custom designed package

Applications

- Range finding
- Surveying equipment
- Weapons simulation
- LiDAR
- Obstacle detection
- Medical



Germany & Other Countries

Laser Components Germany GmbH
Tel: +49 8142 2864 - 0
Fax: +49 8142 2864 - 11
info@lasercomponents.com
www.lasercomponents.com

France

Laser Components S.A.S.
Tel: +33 1 39 59 52 25
Fax: +33 1 39 59 53 50
info@lasercomponents.fr
www.lasercomponents.fr

United Kingdom

Laser Components (UK) Ltd.
Tel: +44 1245 491 499
Fax: +44 1245 491 801
info@lasercomponents.co.uk
www.lasercomponents.co.uk

Nordic Countries

Laser Components Nordic AB
Tel: +46 31 703 71 73
Fax: +46 31 703 71 01
info@lasercomponents.se
www.lasercomponents.se

USA

Laser Components USA, Inc.
Tel: +1 603 821 - 7040
Fax: +1 603 821 - 7041
info@laser-components.com
www.laser-components.com

General Optical Characteristics at $t_{RT} = 21^\circ\text{C}$, I_{FM}

	Min	Typ	Max	Units
Wavelength of peak radiant intensity λ	895	905	915	nm
Spectral bandwidth $\Delta\lambda$ at 50% intensity points		5		nm
Wavelength temperature coefficient		0.28		nm/°C
Beam spread				
Parallel to junction plane \parallel FWHM		10		Degrees
Perpendicular to junction plane \perp FWHM		23		Degrees
Parallel to junction \parallel/e^2		15		Degrees
Perpendicular to junction \perp/e^2		48		Degrees
Polarization Ratio TE/(TE+TM)		>98%		

Typical Product Characteristics at $t_{RT} = 21^\circ\text{C}$, $t_w = 100\text{ ns}$, $P_{rr} = 1\text{ kHz}$

Parameter	905D1S3JT03X	905D1S3JT06X	905D1S3JT09X
P_O at I_{FM}	40 W	80 W	115 W
Emitting area	85 x 10 μm	160 x 10 μm	235 x 10 μm
I_{TH}	300 mA	600 mA	800 mA
I_{FM}	13.5 A	27 A	40 A
Forward voltage (V_F) at I_{FM}	9.5 V	11.8 V	13.2 V

Absolute Maximum Ratings

Maximum ratings	Limiting values
Peak reverse voltage	36 V
Pulse duration	150 ns
Duty factor	0.1%
Temperature	
- Storage	-55 °C to + 125 °C
- Operating	-40 °C to + 105 °C
Lead soldering	
- 5 seconds max at	200 °C

Figure 1:
Output power vs. forward current

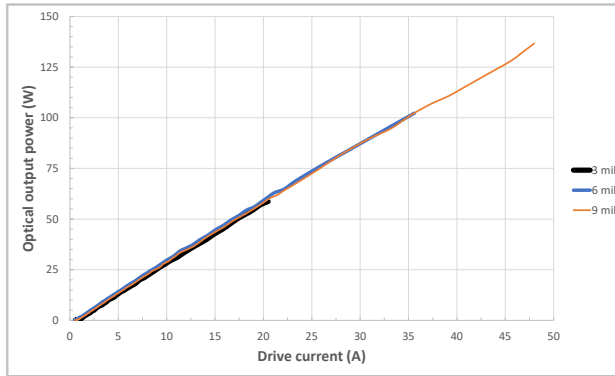


Figure 2:
Optical output power vs. temperature

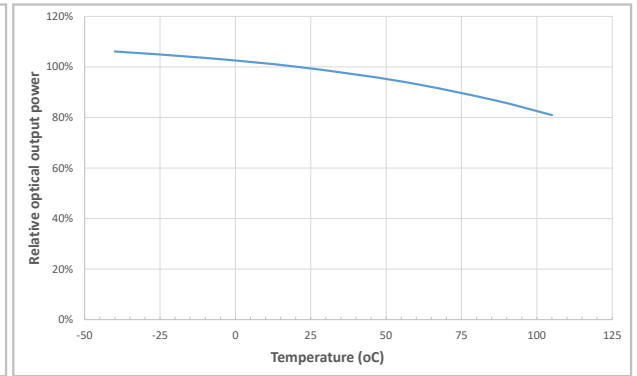


Figure 3:
Wavelength vs. temperature

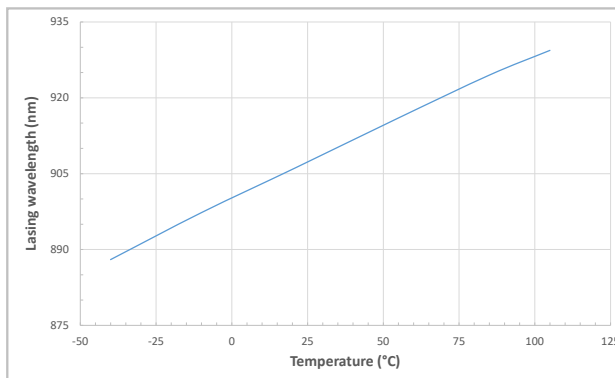


Figure 4:
Output power vs. cone half angle

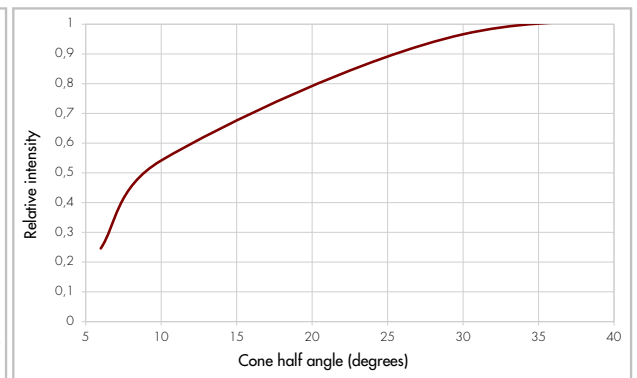


Figure 5:
Spectral intensity distribution

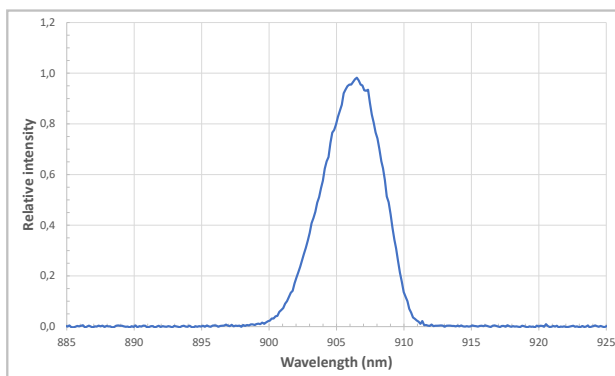


Figure 6:
Far field emission parallel and perpendicular to junction plane

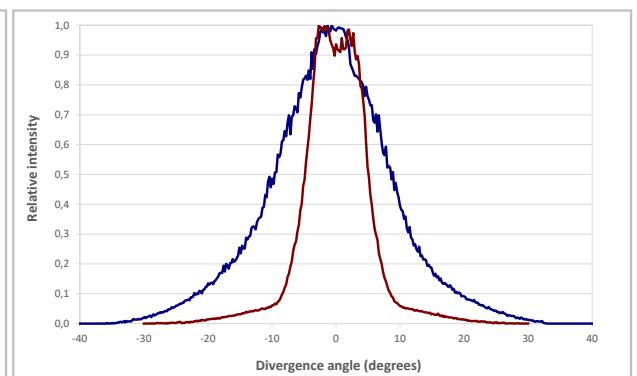


Figure 7:
Series static forward voltage (V_f)

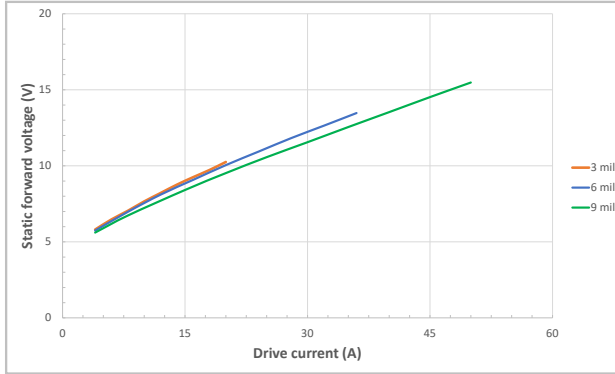


Figure 8:
Typical near field scan of triple junction lasers

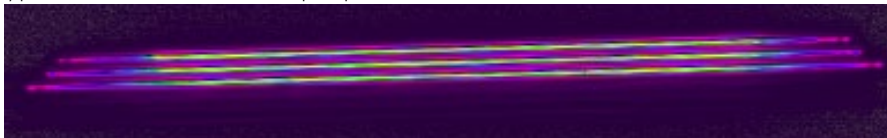


Figure 9:
Typical far field beam scan

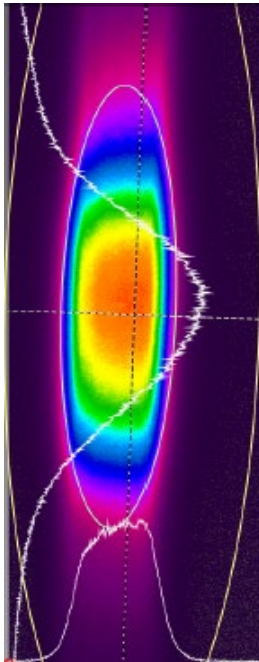
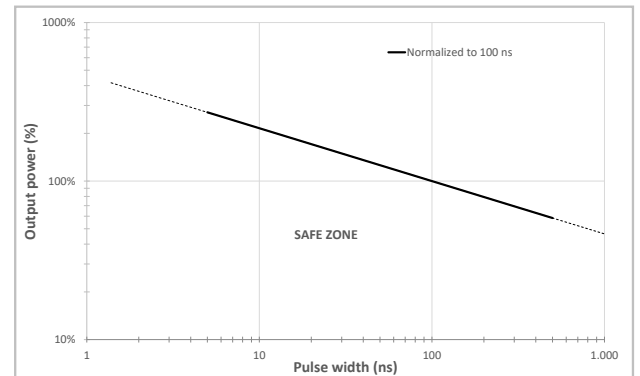
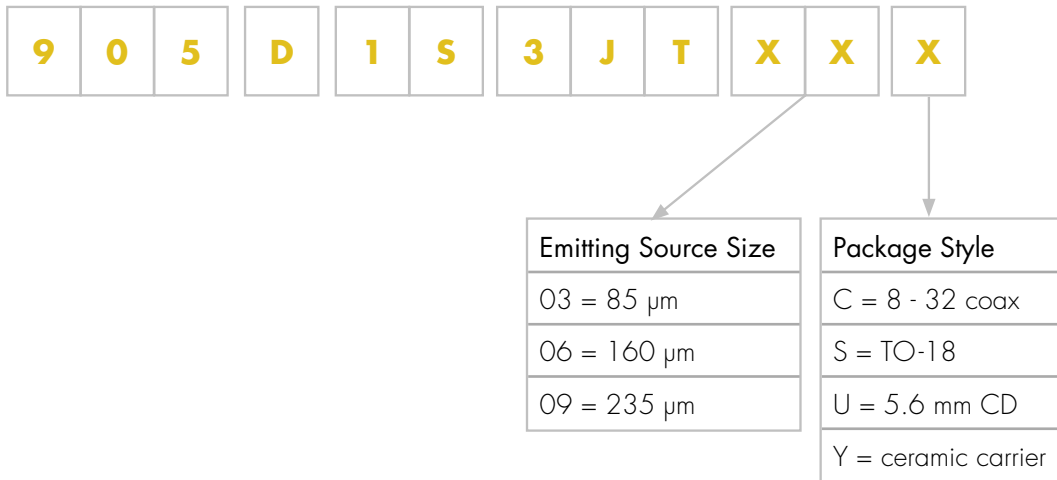


Figure 10:
Safe operating limits at maximum duty factor



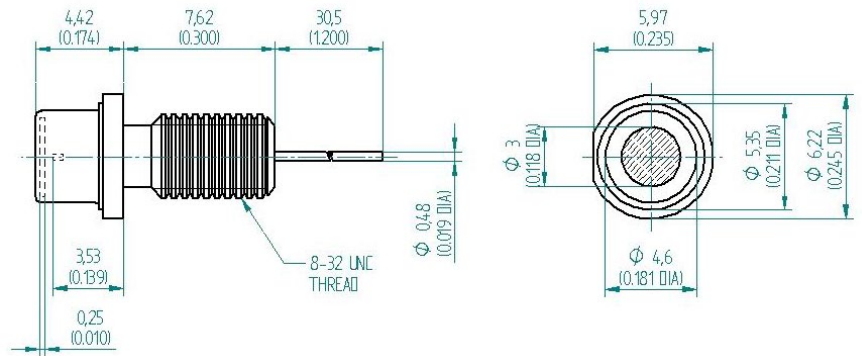
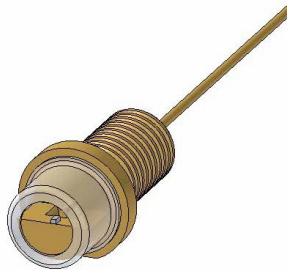
Product Number Designations





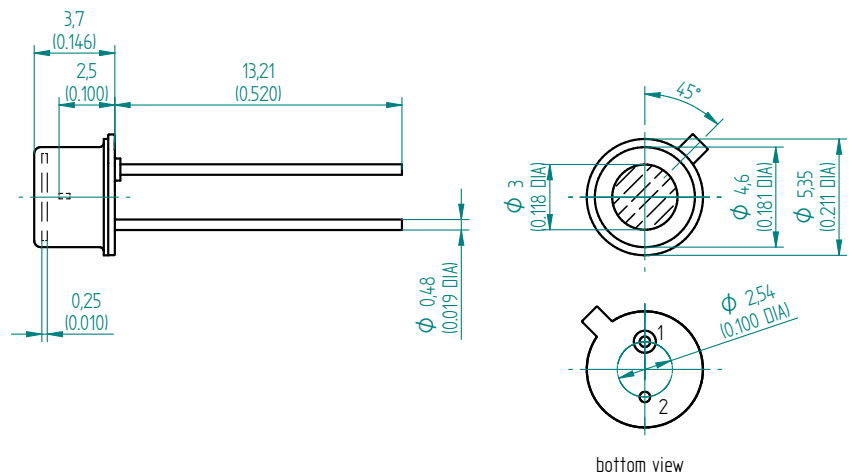
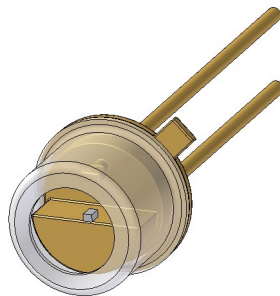
Package Drawings

Package C 8 - 32 coax



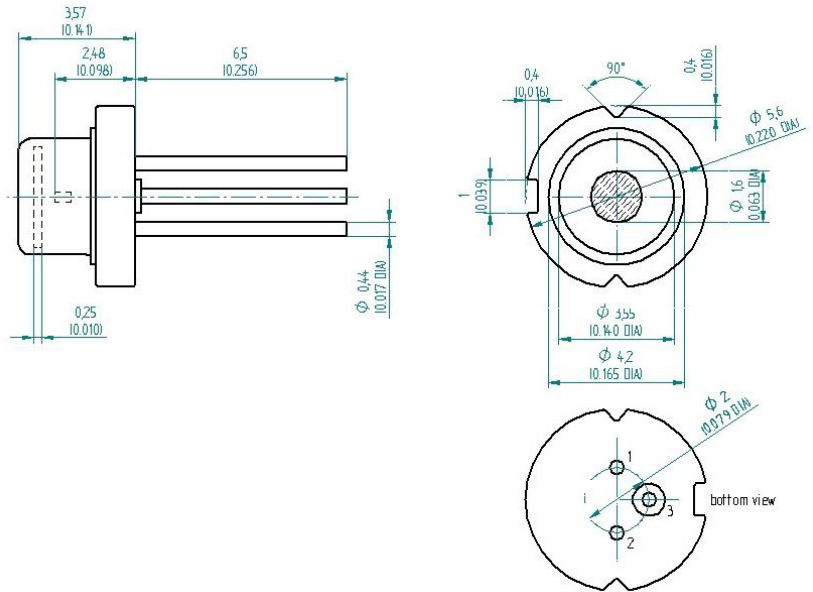
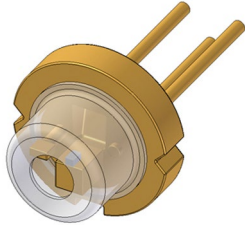
Package C: Pin Out: Case (-), Pin (+), Inductance 12 nH

Package S TO-18



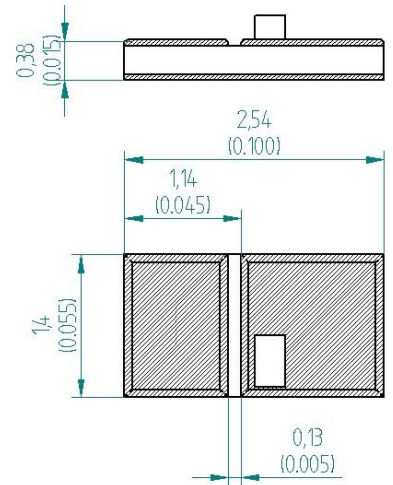
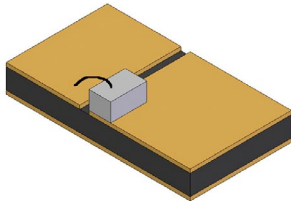
Package S: Pin Out: 1. LD Anode (+), 2. LD Cathode (-) Case, Inductance 5.2 nH

Package U 5.6 mm CD



Package U: Pin Out: 1. LD Anode (+),
2. NC,
3. LD Cathode (-) Case, Inductance 5.0 nH

Package Y ceramic carrier



Package Y: Pin Out: 1. LD Anode (+),
2. LD Cathode (-) Case, Inductance 1.6 nH

Product Changes

LASER COMPONENTS reserves the right to make changes to the product(s) or information contained herein without notice. No liability is assumed as a result of their use or application.

Ordering Information

Products can be ordered directly from LASER COMPONENTS or its representatives. For a complete listing of representatives, visit our website at www.lasercomponents.com

Custom designed products are available on request.

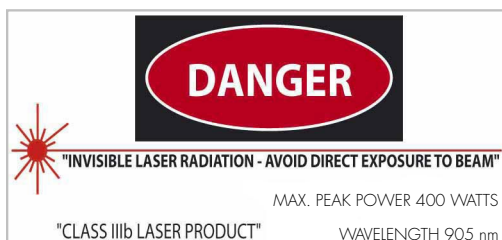
Laser Safety

Personal Hazard:

Depending on the mode of operation, these devices emit highly concentrated non visible infrared light which can be hazardous to the human eye. Products which incorporate these devices have to follow the safety precautions given in IEC 60825-1 "Safety of laser products".

Handling Precautions:

Products are subject to the risks normally associated with sensitive electronic devices including static discharge, transients, and overload.



Germany & Other Countries

Laser Components Germany GmbH
Tel: +49 8142 2864 - 0
Fax: +49 8142 2864 - 11
info@lasercomponents.com
www.lasercomponents.com

France

Laser Components S.A.S.
Tel: +33 1 39 59 52 25
Fax: +33 1 39 59 53 50
info@lasercomponents.fr
www.lasercomponents.fr

United Kingdom

Laser Components (UK) Ltd.
Tel: +44 1245 491 499
Fax: +44 1245 491 801
info@lasercomponents.co.uk
www.lasercomponents.co.uk

Nordic Countries

Laser Components Nordic AB
Tel: +46 31 703 71 73
Fax: +46 31 703 71 01
info@lasercomponents.se
www.lasercomponents.se

USA

Laser Components USA, Inc.
Tel: +1 603 821 - 7040
Fax: +1 603 821 - 7041
info@laser-components.com
www.laser-components.com