

# DATASHEET



## FEATURES

- ✓ USB Controlled
- ✓ Touch-Screen Display
- ✓ Integrated Laser and Electronics
- ✓ Excellent Power and Wavelength Stability

## APPLICATIONS

- ✓ Flow Cytometry
- ✓ Spectroscopy

### Operational Hazard of Laser Module

This laser module emits radiation that is visible/invisible and harmful to human eye. When in use, do not look directly into the laser emitting aperture. Direct viewing of laser diode emission at close range may cause eye damage.



### Limited Warranty

One year. No warranty coverage for disassembly, modifications, or damage due to abuse or misapplication.



COMPACT with touch-screen, is a user-controlled laser system with integrated laser and control electronics in a single compact package. The built-in touch screen display shows laser operating parameters, and enable easy and quick manual changes of laser operation conditions.

COMPACT touch screen allows the user to set the laser power, temperature, scan the laser power and modulate the laser using a built-in internal function generator up to 50kHz. External modulation is up to 1MHz depending on the wavelength/power combination.

COMPACT demonstrates excellent beam quality, power stability, temperature control, and low noise for demanding applications.

## SPECIFICATIONS

### OPTICAL

Wavelength	594 nm
Optical Output Power	15 mW
Laser Power Stability	< 1%
Laser RMS Noise	< 5%
Laser Structure	Single Mode
Polarization Ratio	100:1
Polarization Orientation	Vertical
Beam Size (collimated)	~4 mm Elliptical (2:1)
Divergence (full angle)	< 1 mrad
Beam Pointing Stability	< ± 10 μrad (10 to 40°C)
Warm-Up time	< 1 min

### ELECTRICAL

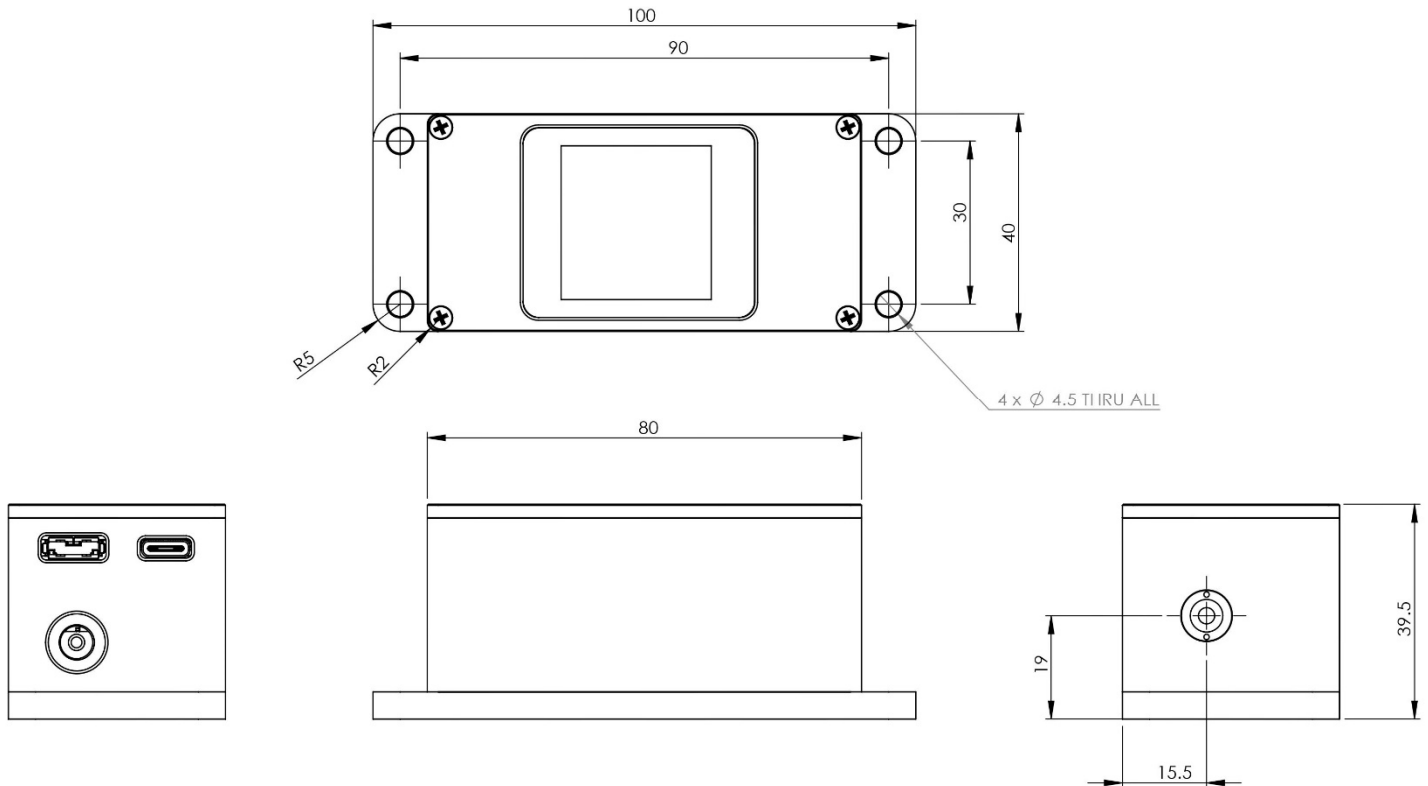
Operating Voltage	5 V DC
Operating Current	< 1.2 A
Control Circuit	ACC

### MECHANICAL/ENVIRONMENTAL

Dimensions, mm	40 (W) x 42.5 (H) x 100 (L)
Operating Temperature	+10°C to +40°C
Storage Temperature	-40°C to +80°C

# DATASHEET

## OUTLINE DRAWING



## COMPACT ORDERING INFORMATION

PART# COMPACT-pppG(c)-λλλ

OPTION	DESCRIPTION	VALUES
ppp	Laser output power (mW)	1-700 (depending on wavelength)
(c)	Circular laser diode beam (optional)	C **
λλλ	Wavelength (nm)	375, 405, 473, 488, 515, 520, 525, 532, 561, 594, 635, 638, 642, 658, 660, 670, 685, 690, 705, 730, 780, 785, 808, 830, 850, 905, 940, 980, and 1064
TTL	External TTL modulation	3KHz to MHz depending on wavelength/power

Example Part # for 30 mW, circular, 488 nm laser: COMPACT-30GC-488

\*\* Circular beam is not available for some wavelengths